



REAR SEAT KIT

MADE IN THE
★USA★
WITH PRIDE



MAX 5

MAX 5 SEAT INSTALLATION

TABLE OF CONTENTS:

- Step 1** - Prepare Car for Installation
- Step 2** - Seat Back Support Installation
- Step 3** - Armrest Installation
- Step 4** - Footrest Supports and Bumper Angle Installation
- Step 5** - Rear Seat Mounting
- Step 6** - Cushion Installation
- Step 7** - Footrest and Safety Bar Installation
- Optional Accessories** - Cup Holders, Bag Holder, Storage Bin, Hitch

IMPORTANT: Do not fully tighten hardware until instructed.
Read through all instructions before beginning installation.

AVAILABLE FOR:
CLUB CAR® DS® & PRECEDENT®
E-Z-GO® TXT® & RXV® / YAMAHA® DRIVE®

OPTIONAL MAX 5 ACCESSORIES

Sold Separately



STORAGE BIN

CUP HOLDERS

GOLF BAG HOLDERS

CHAIR HOLDER

DROP-IN CARGO BED

SOFT CARGO CARRIER

HEAVY-DUTY LEAF SPRINGS
(Recommended)



CAUTION! SEAT BASE LID

Do not open the seat base lid past 90° before the seat base & seat back cushion have been installed on the car

To prevent potential damage to the seat base lid hinges, install the optional Storage Bin ONLY AFTER the rear seat and seat back cushion have been installed on the car.

SCALE HARDWARE GUIDE

Supplied hardware has been illustrated at a 1:1 scale for the ability to verify required lengths quickly and easily. Simply place the hardware on top of the illustration to ensure you are using the correct item and measurement.

STEP

1

PREPARE CAR FOR INSTALLATION

Remove the following items to prepare the car for Rear Seat Kit Installation:

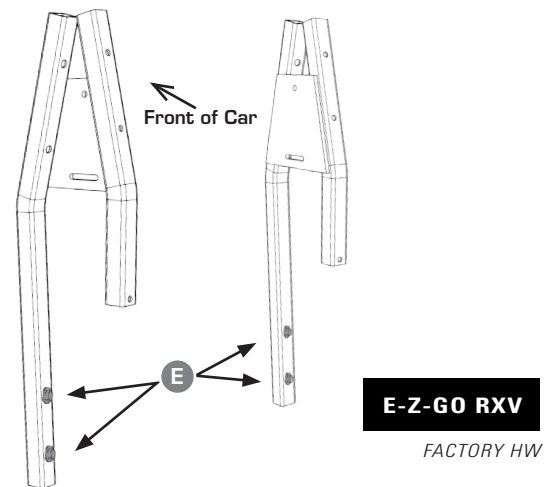
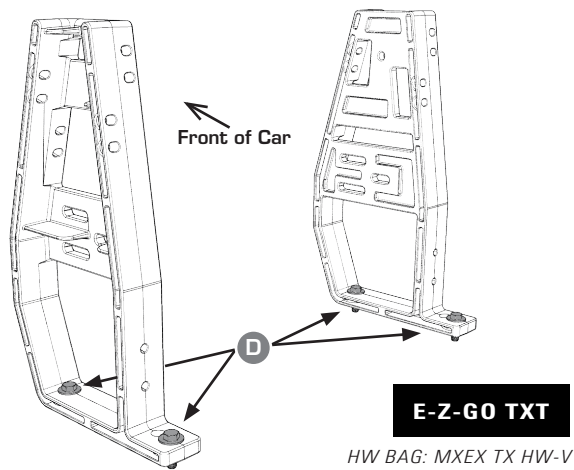
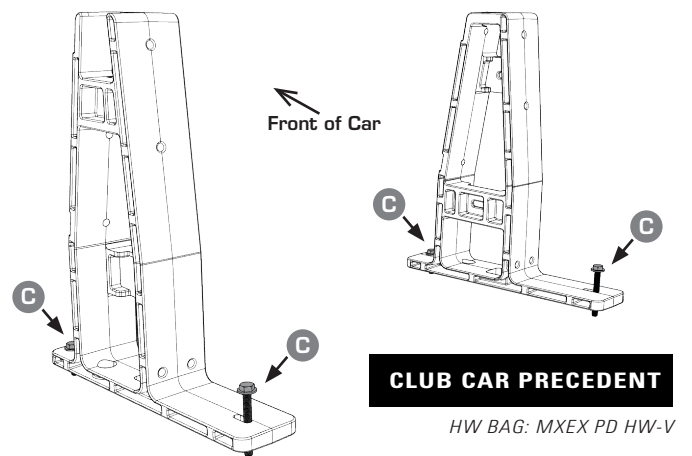
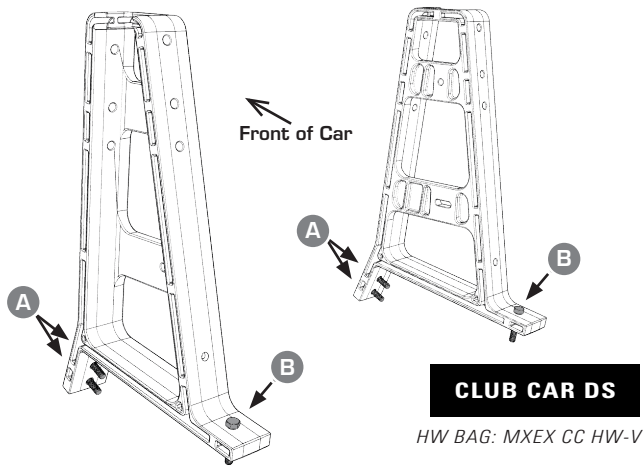
- Top
- Top Supports/Drain Tubes
- Bench Back Cushion
- Bag Rack Assembly

NOTE: Save and separate factory hardware for later use.

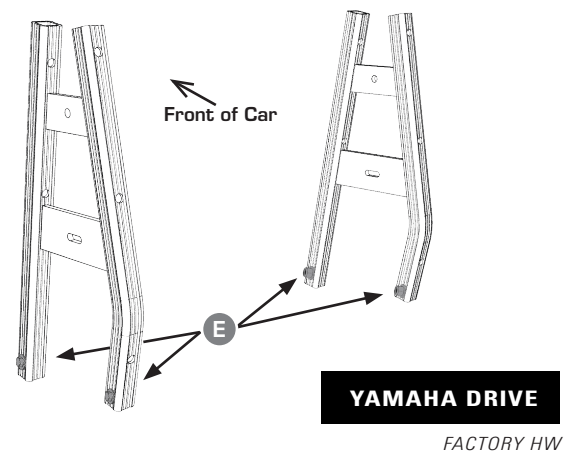
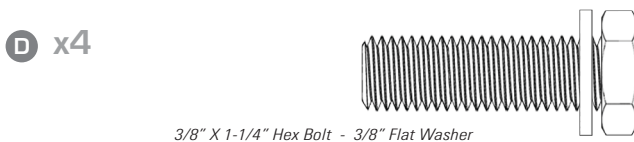
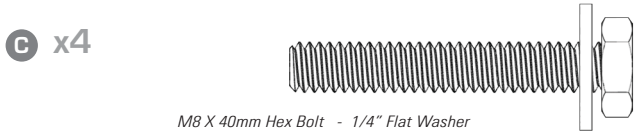
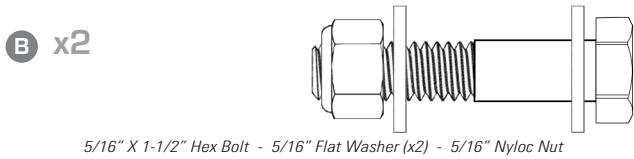
STEP 2 SEAT BACK SUPPORTS INSTALLATION

Position & Install Seat Back Supports.

NOTE: Fully tighten Bolts.



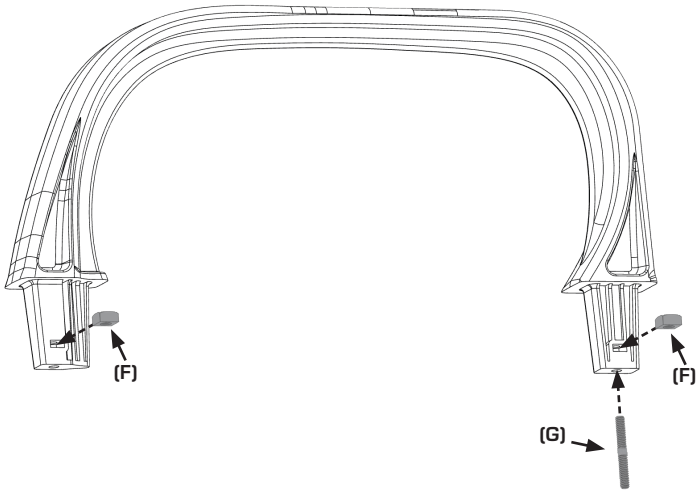
HARDWARE - SCALE 1:1



E x4
Reuse Factory Hardware from Bag Rack removal

STEP 3.1 ARMREST PREPARATION

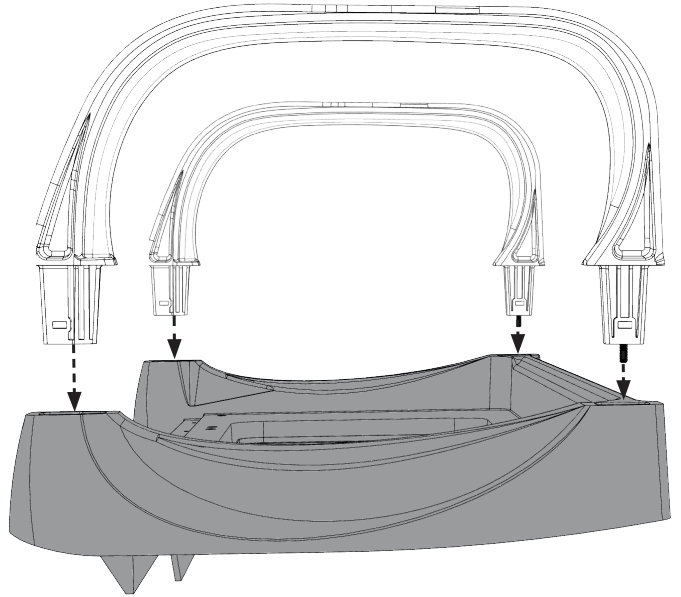
Insert Square Nuts **(F)** into the slots on the ends of each Armrest. Insert short end of threaded stud **(G)** and into square end of Armrest.



HW BAG: MAX5 ARMREST HW

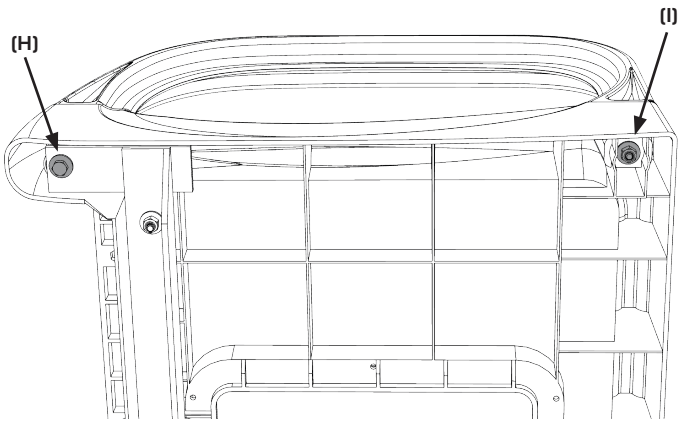
STEP 3.2

Insert the prepped Armrests into the base, making sure the loose Square Nuts stay in the front slots.



STEP 3.3

NOTE: Place Seat on blanket or cardboard. Fully tighten all hardware.



HW BAG: MAX5 ARMREST HW

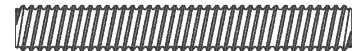
HARDWARE - SCALE 1:1

(F) x4



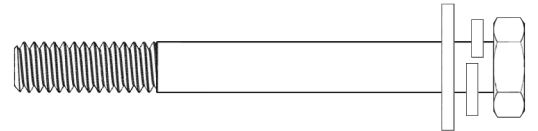
Square Nut

(G) x2



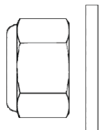
1/4" X 1-3/4" Threaded Stud

(H) x2



1/4" X 2-1/2" Hex Bolt - 1/4" Lock Washer - 1/4" Flat Washer

(I) x2



1/4" Flat Washer - 1/4" Nylock Nut

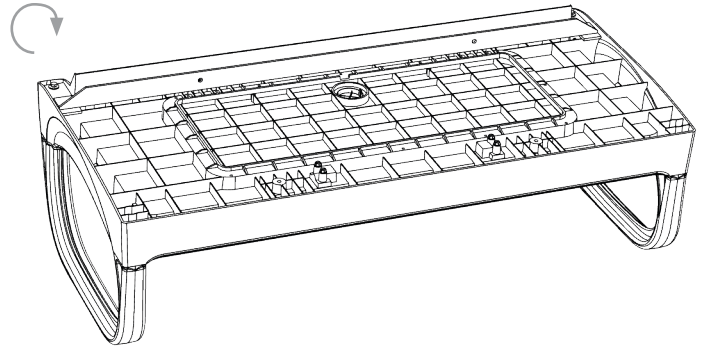
STEP

4.1

SEAT KIT BRACKETS & BUMPER ANGLE INSTALLATION

Position Seat Base. Flip the assembly back onto the armrests.

NOTE: Place Seat on Cardboard or Blanket to prevent scratching.

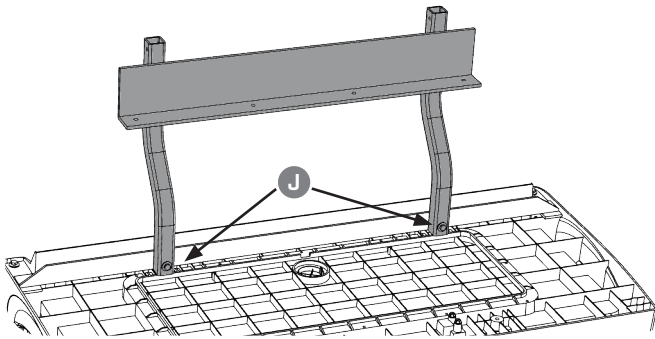


STEP

4.2

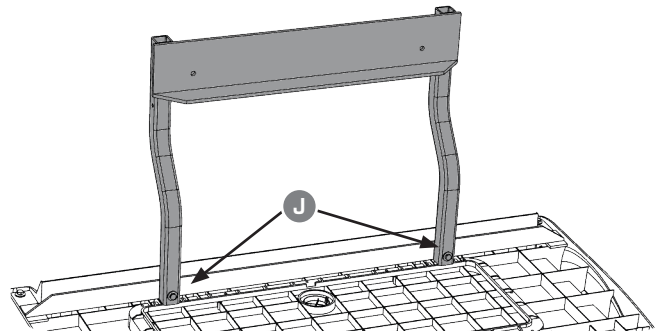
INSTALL SEAT KIT BRACKETS

NOTE: Fully tighten Hardware.



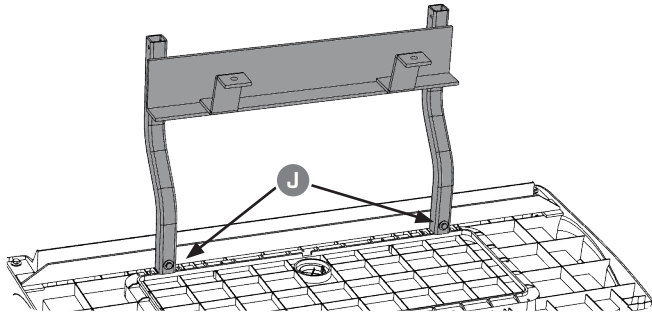
CLUB CAR DS

HW BAG: RSK BA HW DS



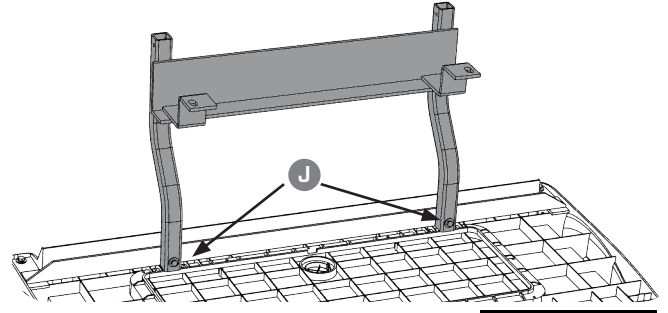
CLUB CAR PRECEDENT

HW BAG: RSK BA HW PD



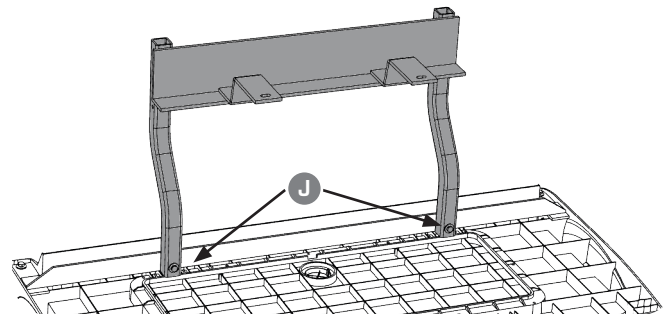
E-Z-GO TXT

HW BAG: RSK BA HW TXT



E-Z-GO RXV

HW BAG: RSK BA HW RXV



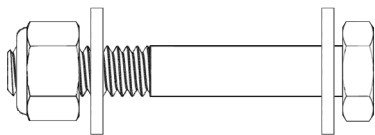
YAMAHA DRIVE

NOTE: Flip bracket over for Drive 17.

HW BAG: RSK BA HW DRV

HARDWARE - SCALE 1:1

J x2



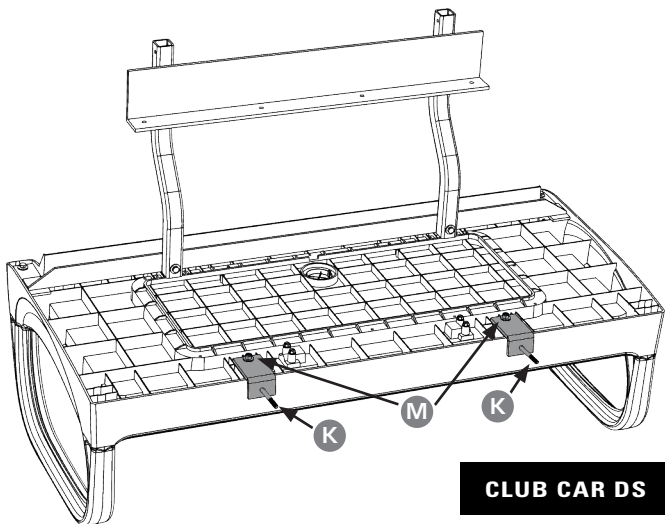
1/4" X 1-3/4" Hex Bolt - 1/4" Flat Washer (x2) - 1/4" Nyloc Nut

STEP

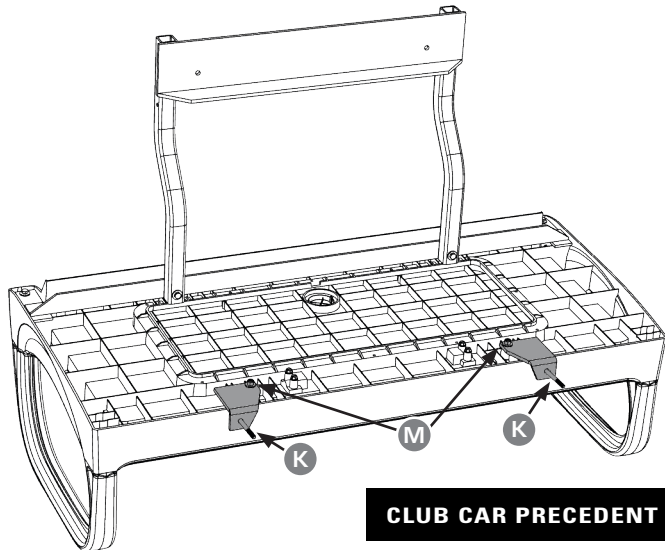
4.3

INSTALL REAR SEAT KIT BRACKETS

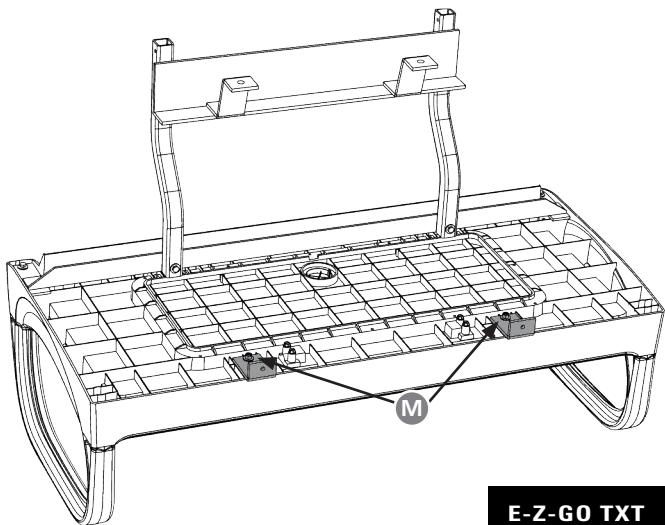
NOTE: Do not fully tighten Bolts until mounted to Seat Back Supports.



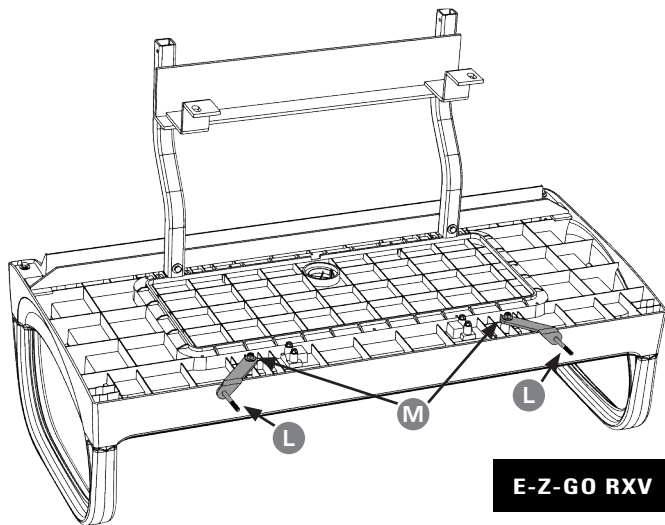
HW BAG: MAX5 BKT HW DS
Insert bolts (K) before attaching brackets



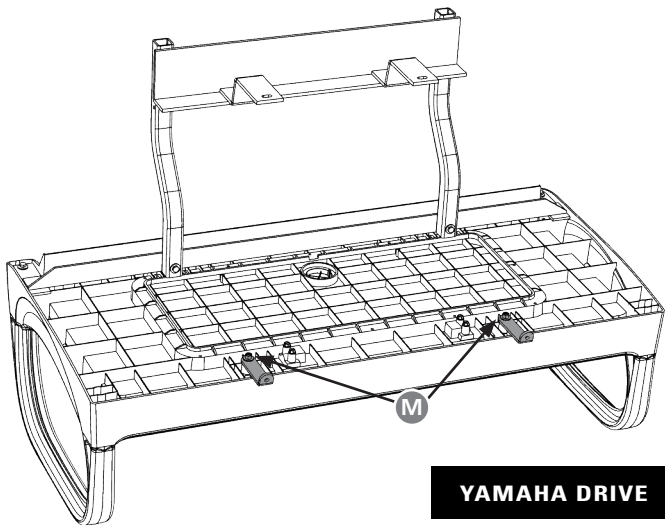
HW BAG: MAX5 BKT HW PD
Insert bolts (K) before attaching brackets



HW BAG: MAX5 BKT HW TXT



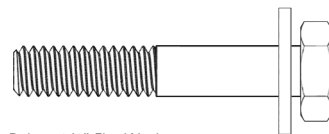
HW BAG: MAX5 BKT HW RXV
Insert bolts (K) before attaching brackets



HW BAG: MAX5 BKT HW DRV
HW BAG (DRIVE 2): MAX5 BKT HW D17

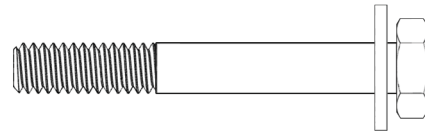
HARDWARE - SCALE 1:1

K x2



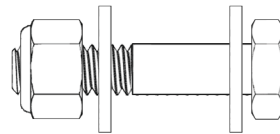
1/4" X 1-1/2" Hex Bolt - 1/4" Flat Washer

L x2



1/4" X 2" Hex Bolt - 1/4" Flat Washer

M x2



1/4" X 1-1/4" Hex Bolt - 1/4" Flat Washer (x2) - 1/4" Nyloc Nut

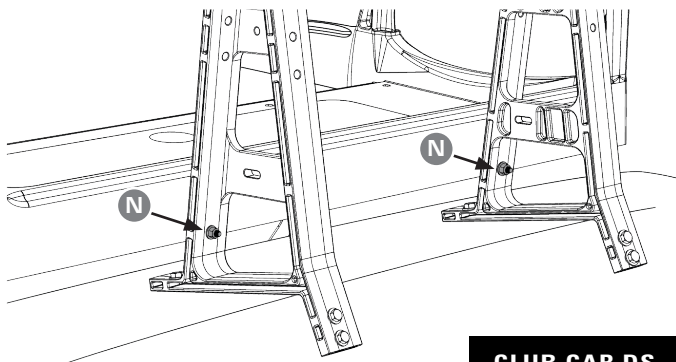
STEP

5.1

REAR SEAT MOUNTING

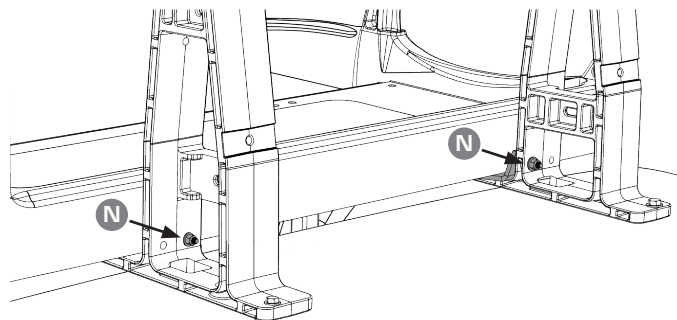
Attach Rear Seat Kit to Seat Back Supports. Sit Rear Kit onto car bumper & attach seat bottom brackets to the Seat Back Supports.

NOTE: This step requires two people. DO NOT fully tighten until Bumper Angle is attached in next step.



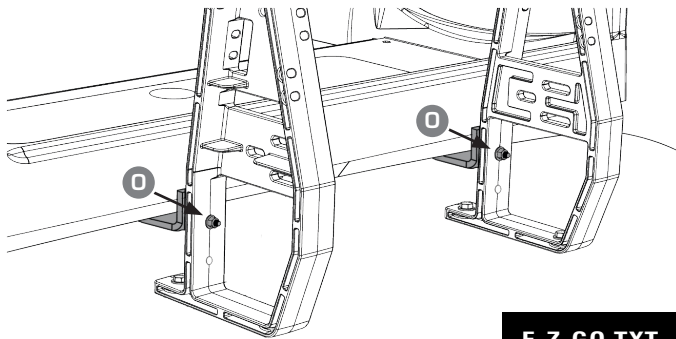
CLUB CAR DS

HW BAG: MAX5 BKT HW DS



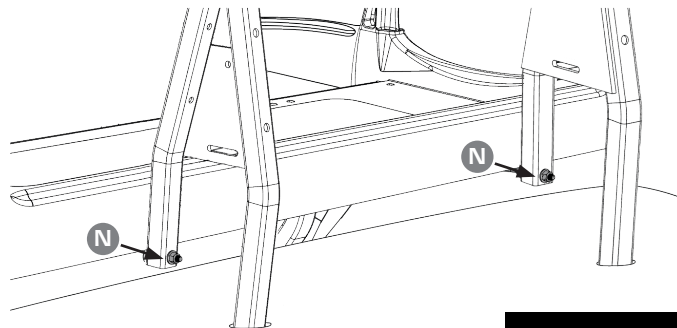
CLUB CAR PRECEDENT

HW BAG: MAX5 BKT HW PD



E-Z-GO TXT

HW BAG: MAX5 BKT HW TXT
TXT - top holes / Star - bottom holes



E-Z-GO RXV

HW BAG: MAX5 BKT HW RXV

HARDWARE - SCALE 1:1

N x2

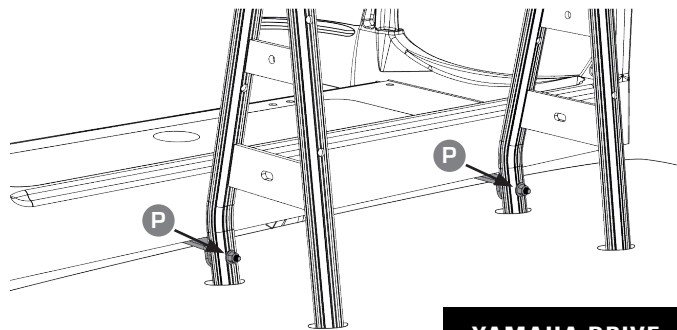
1/4" Flat Washer - 1/4" Nyloc Nut

O x2

1/4" X 1-1/2" Hex Bolt - 1/4" Flat Washer (x2) - 1/4" Nyloc Nut

P x2

1/4" X 1-3/4" Hex Bolt - 1/4" Flat Washer (x2) - 1/4" Nyloc Nut

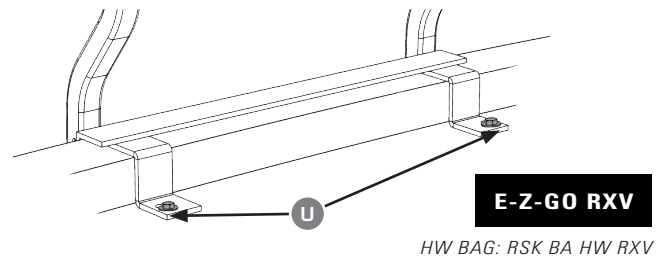
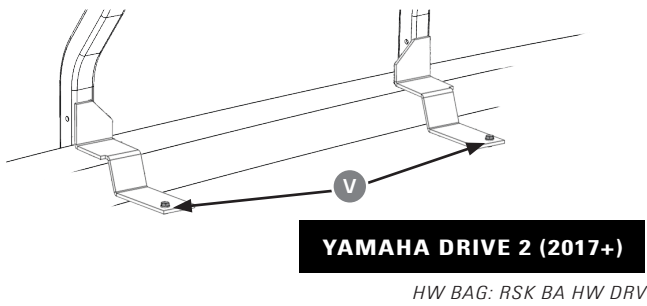
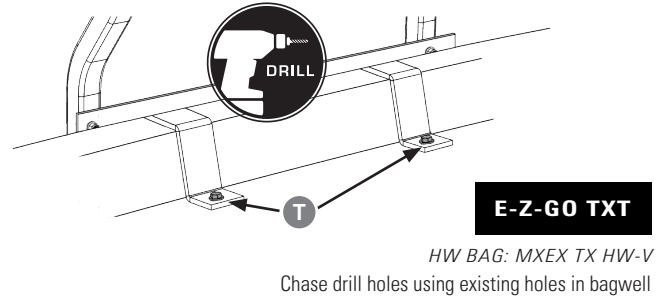
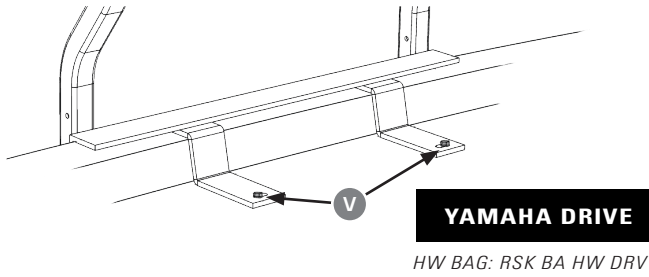
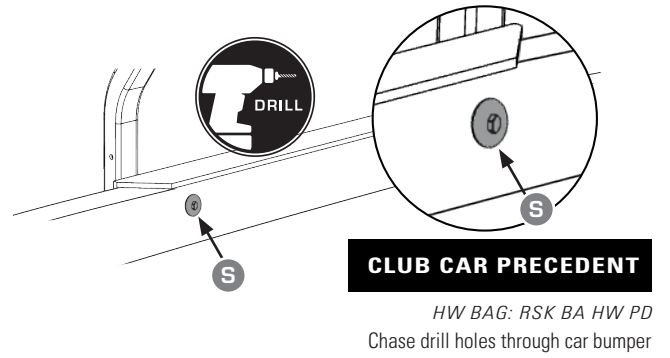
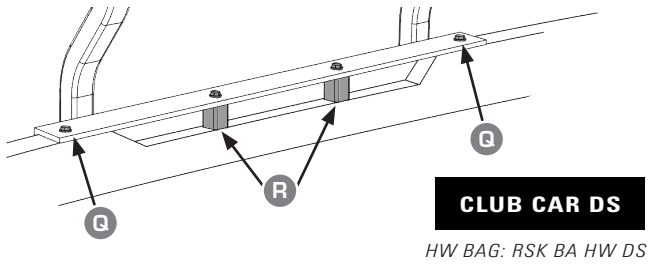


YAMAHA DRIVE

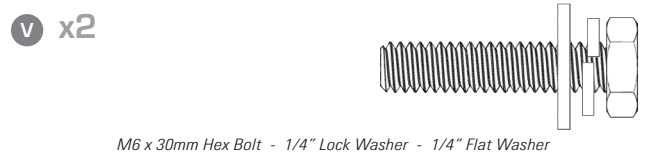
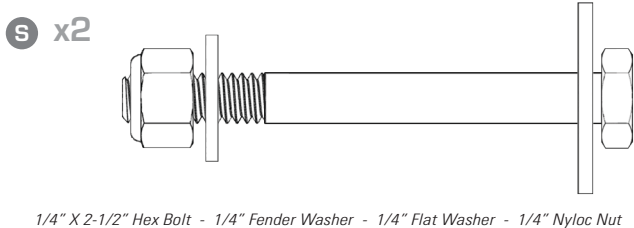
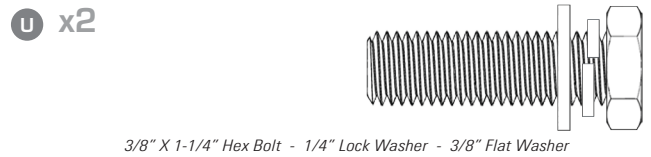
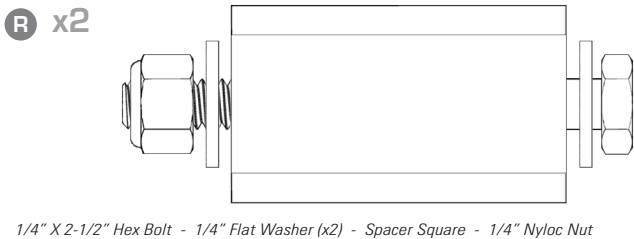
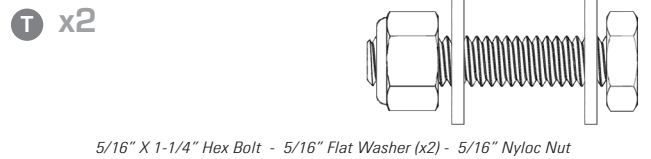
HW BAG: MAX5 BKT HW DRV

STEP 5.2 MOUNT BUMPER ANGLE TO CAR

NOTE: Fully tighten Rear Seat Kit Brackets and Bumper Angle Hardware.

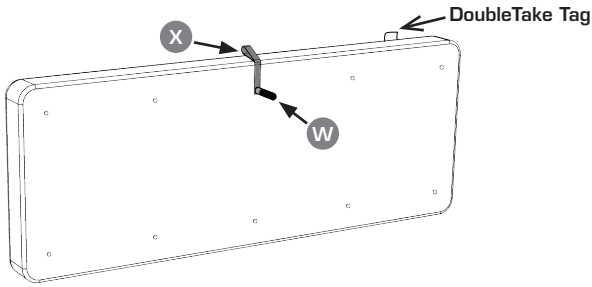


HARDWARE - SCALE 1:1



STEP 6.1 CUSHION INSTALLATION

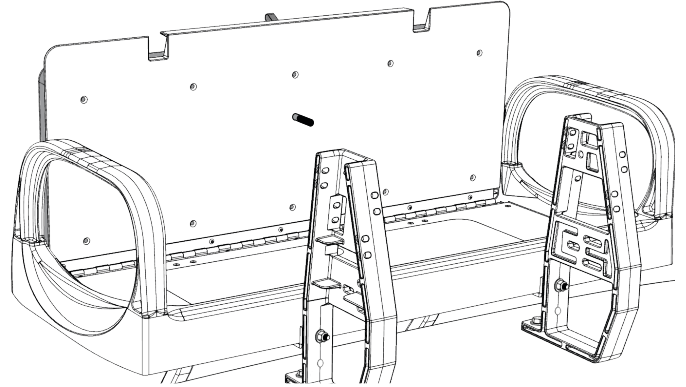
Insert Temporary Stud (**W**) into the 2/1 Seat Bottom Cushion then slip the 2/1 Strap (**X**) over the Temporary Stud as shown below.



BOTTOM CUSHION
HW BAG: MX5 CUSH MTG HW

STEP 6.2 INSTALL SEAT BOTTOM CUSHION

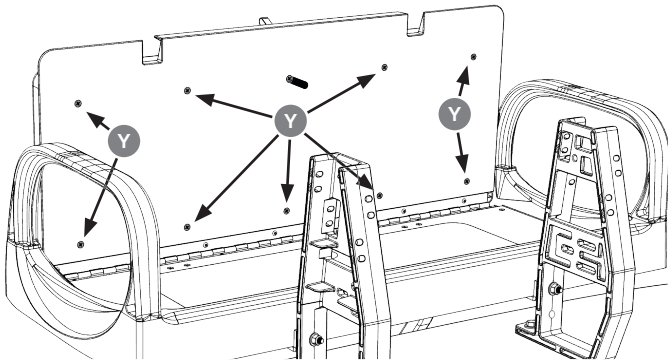
Angle Seat Bottom Plastic upright to 90° and insert 2/1 Seat Bottom Cushion in the top center hole using the Temporary Stud.



STEP 6.3 INSTALL SEAT BOTTOM CUSHION

Loosely screw in all four corner holes first, then screw in the remaining vacant holes.

NOTE: DO NOT fully tighten.

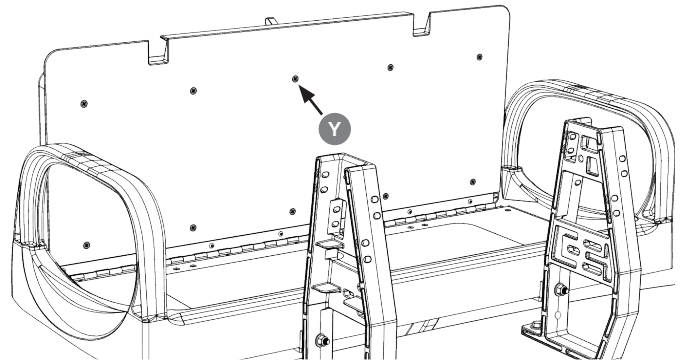


HW BAG: MX5 CUSH MTG HW

STEP 6.4 INSTALL SEAT BOTTOM CUSHION

Remove the Temporary Stud and install remaining screw.

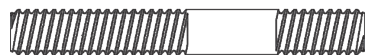
NOTE: Fully tighten Hardware.



HW BAG: MX5 CUSH MTG HW

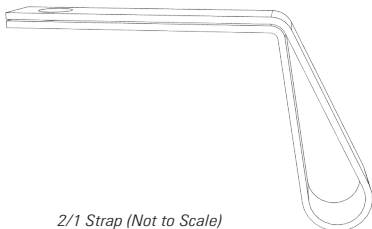
HARDWARE - SCALE 1:1

W x1



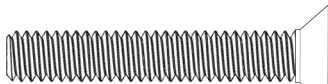
Temporary Stud

X x1



2/1 Strap (Not to Scale)

Y x10



1/4" X 1-1/2" Flat Head Phillips Screw

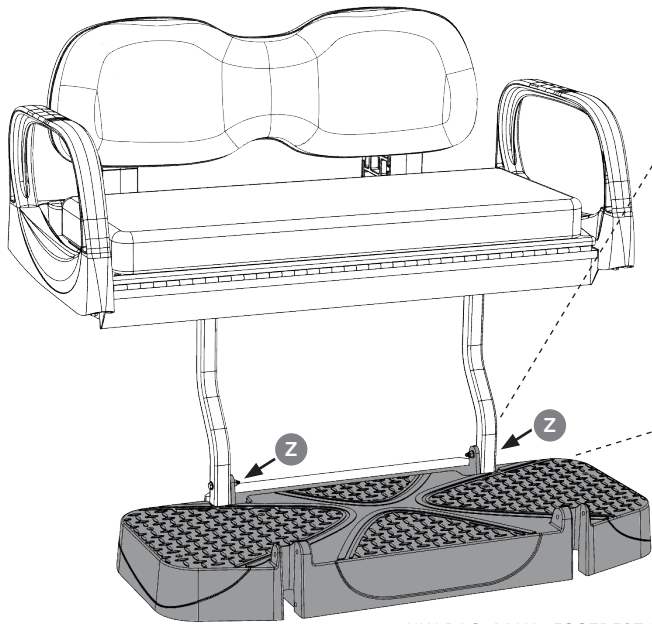
STEP 6.5 SEAT BACK CUSHION INSTALLATION

Installation instructions are provided in the Seat Plate Kit Hardware Box, located in the 2/1 Cushion Box.



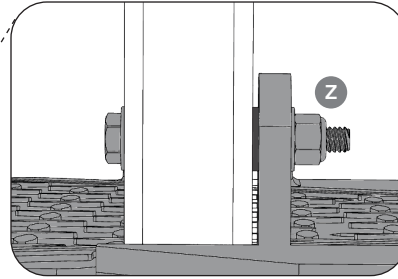
STEP 7.1 FOOTREST INSTALLATION

NOTE: Fully tighten Hardware.



HW BAG: MAX5 FOOTREST HW

Shown from back



ONLY INSTALL TO LOCK FOLDING FOOTREST FEATURE

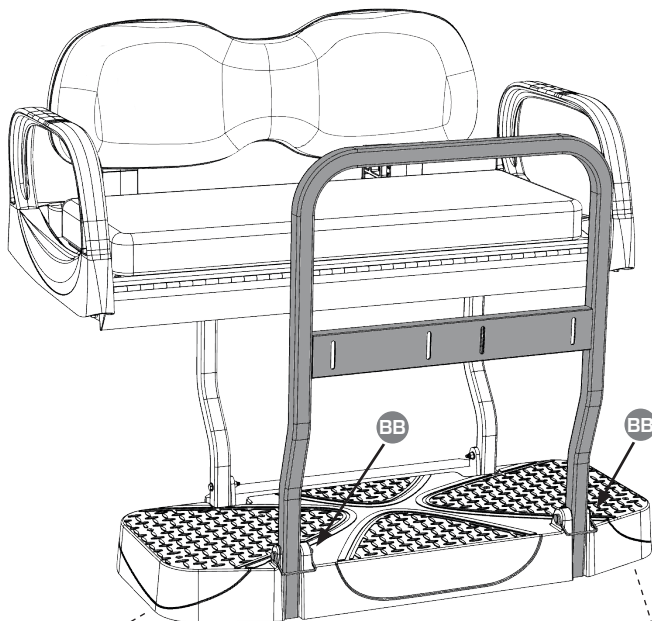


Shown from below

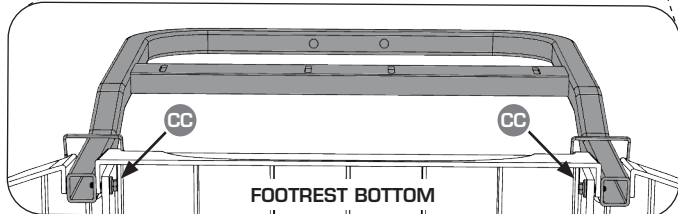
STEP 7.2 SAFETY BAR INSTALLATION

NOTE: Fully tighten Hardware.

HW BAG: MAX5 SAFETY BAR HW

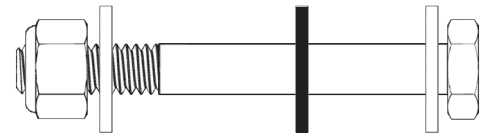


Shown from below



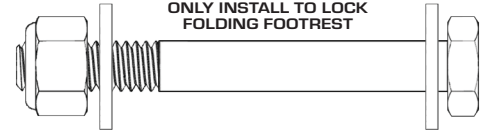
HARDWARE - SCALE 1:1

Z x2



1/4" X 2-1/4" Hex Bolt - 1/4" Plastic Washer - 1/4" Flat Washer (x2) - 1/4" Nyloc Nut

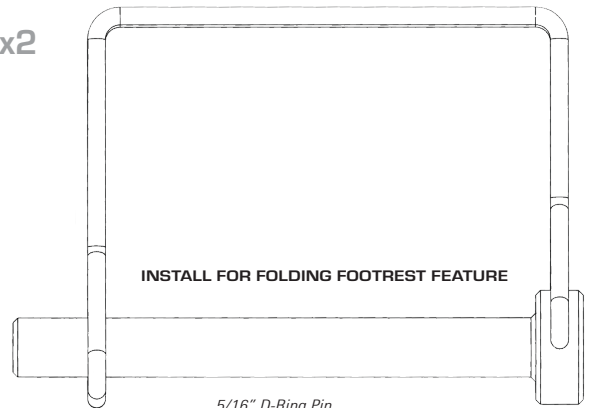
AA x2



ONLY INSTALL TO LOCK FOLDING FOOTREST

1/4" X 2-1/4" Hex Bolt - 1/4" Flat Washer (x2) - 1/4" Nyloc Nut

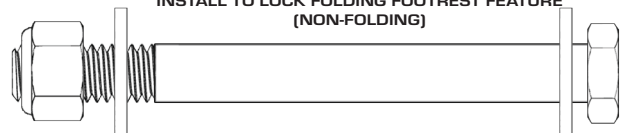
BB x2



INSTALL FOR FOLDING FOOTREST FEATURE

5/16" D-Ring Pin

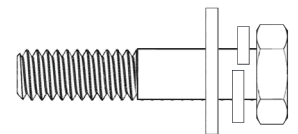
CC x2



INSTALL TO LOCK FOLDING FOOTREST FEATURE (NON-FOLDING)

5/16" X 3" Hex Bolt - 5/16" Flat Washer (x2) - 5/16" Nyloc Nut

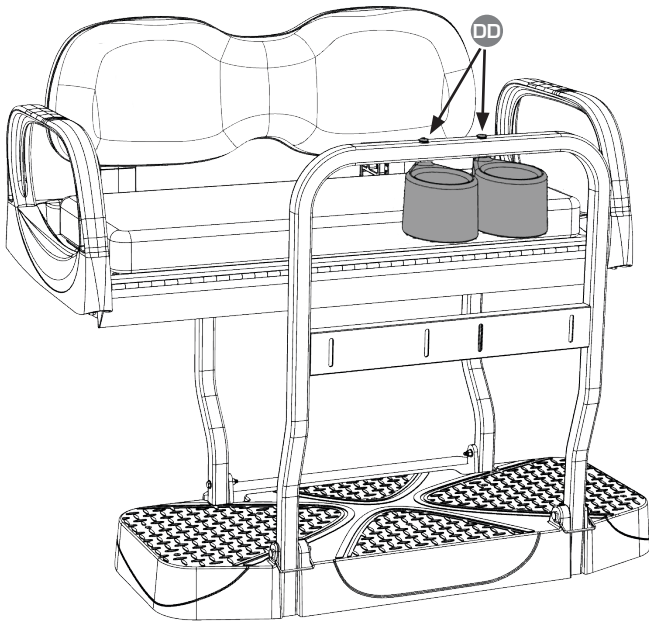
CC x2



1/4" X 1-1/4" Hex Bolt - 1/4" Lock Washer - 1/4" Flat Washer

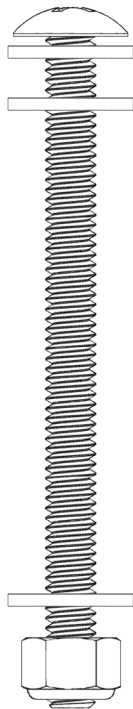
OPTIONAL CUP HOLDERS

NOTE: Fully tighten Hardware.



HARDWARE - SCALE 1:1

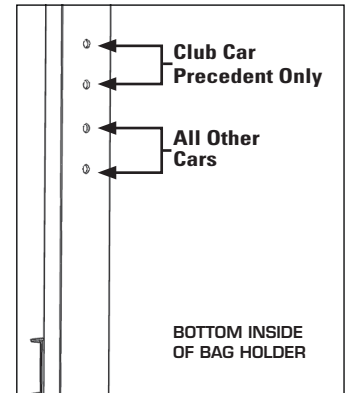
DD x2



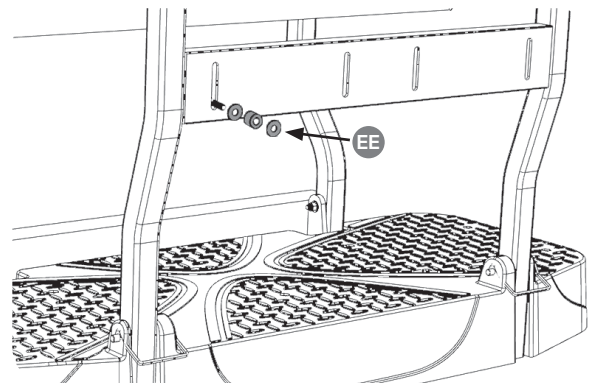
1/4" X 3-1/2" Truss Screw - 1/4" Flat Washer (x3) - 1/4" Nylock Nut

OPTIONAL BAG HOLDERS

NOTE: Fully tighten Hardware.

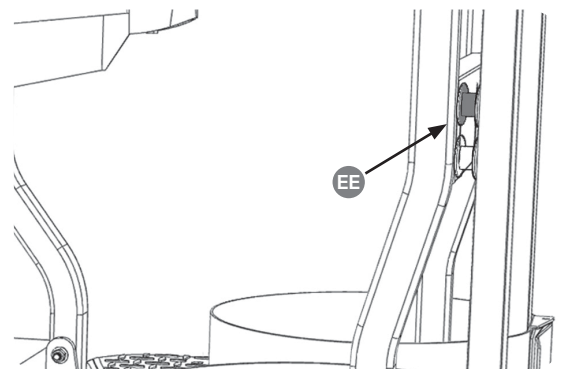


Thread (EE) thru Safety Bar cross brace slot, then into the lowest hole set for your Car Model.



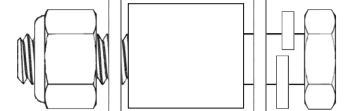
Follow up with (EE) in the top hole set for your Car Model.

NOTE: Fully tighten Hardware.

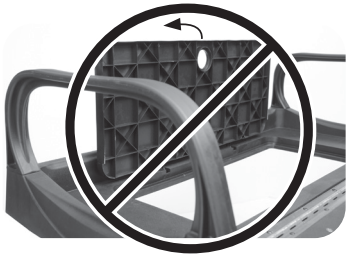


HARDWARE - SCALE 1:1

EE x2



1/4" X 1-1/2" Hex Bolt - 1/4" Lock Washer - 1/4" Flat Washer (x2) - 1/4" Spacer - 1/4" Nyloc Nut



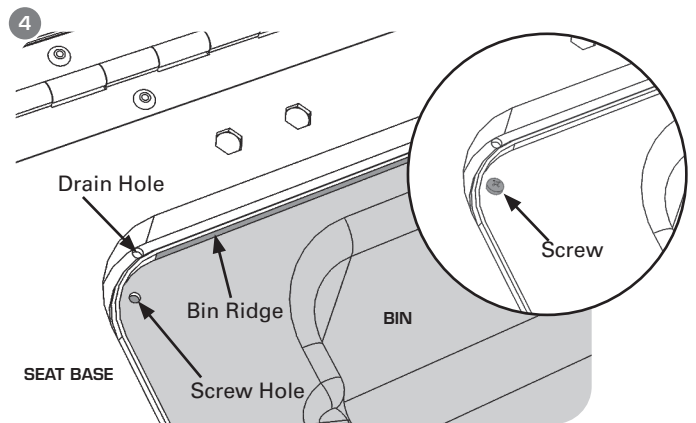
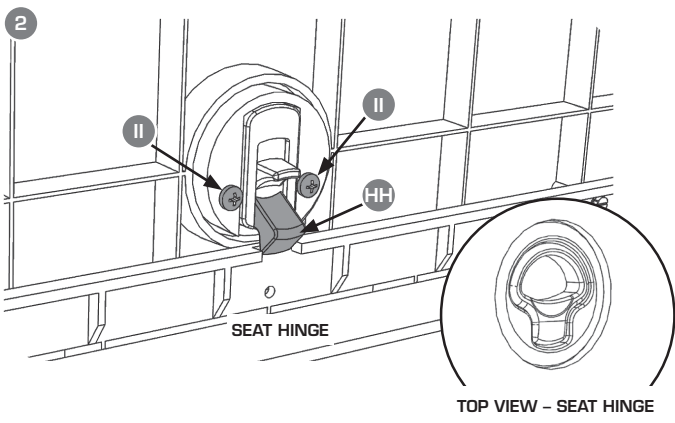
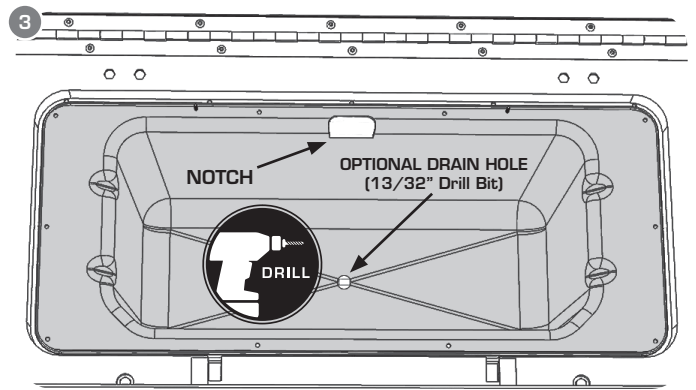
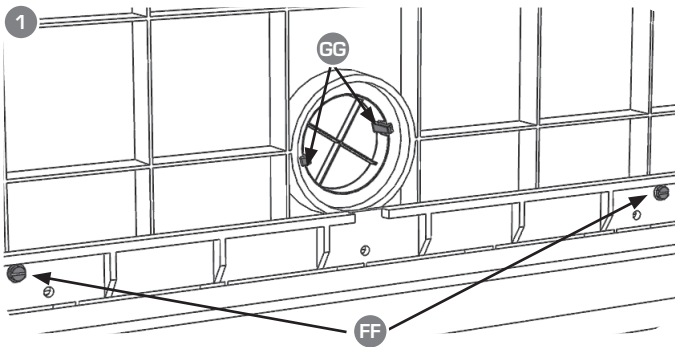
DO NOT PUSH OR FORCE THE LID PAST 90° BEFORE SEAT BASE & SEAT BACK CUSHION ARE INSTALLED ON THE CAR

- If you are installing a Storage Bucket and decide to release the Storage Lid from the Seat Base before installing the Seat Base and Seat Back Cushion onto the Car, do not try to open the Lid past 90°. Doing so may place too much stress on the Lid Hinge possibly causing failure.
- Once the Seat Base and Seat Back Cushion are installed on the Car, the Seat Back Cushion acts as a stop for the Lid protecting the Lid Hinge from hyper-extension.
- As a precaution, we recommend installing the Storage Lid Latch only after the Seat is fully installed on the Car.

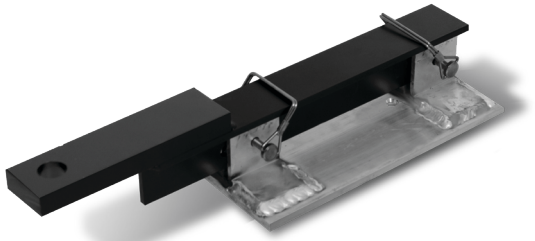
OPTIONAL STORAGE BIN



1. Remove the two Lid Screws (**FF**) from under the Seat Base. Squeeze the two small clips (**GG**) together to remove the Hole Cap.
2. Pull the Handle up to draw in the catch (**HH**). Align the Bottom Latch Cover and install with provided hardware (**II**). **Fully Tighten Hardware.**
3. Insert the Bin into the opening, making sure the Notch is facing the Seat Hinge.
OPTIONAL: Using a 13/32" drill bit, add a Drain Hole in the bottom of the Storage Bin before installation. **NOTE: The provided drain plug is designed to fit a 13/32" hole.**
4. Make sure the Bin rests inside the Bin Ridge in the Seat Base. Install the self-tapping Screws thru all holes in Bin into the Seat Base.



OPTIONAL HITCH



1. Remove Nuts and Washers from the Bolts in the center of the Footrest..
2. Place Hitch Receiver (JJ) over Bolts and reinstall the Washers and Nuts. **Fully Tighten Hardware.**
3. Attach Hitch (KK) to the Hitch Receiver with provided D-Ring Pins (LL).
4. Install the Hitch Ball size of your choice (not included).

