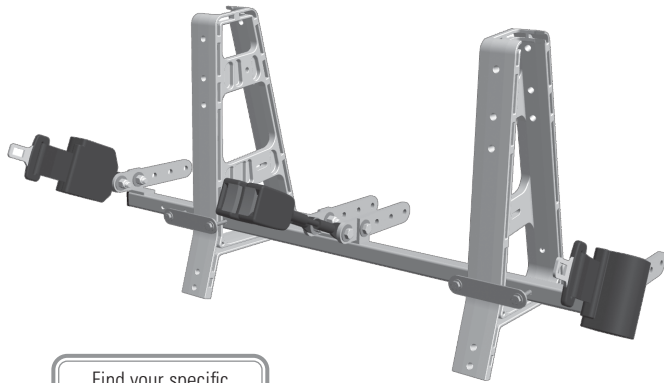




# SEAT BELTS



Find your specific make and model of Golf Car below.

NOTE: Shown on Club Car DS DoubleTake Seat Back Supports.

## SEAT BELT INSTALLATION

### TABLE OF CONTENTS:

- Step 1** - Seat Belt Frame Installation
- Step 2** - Seat Belt Installation
- Step 3** - Seat Belt Full Assembly

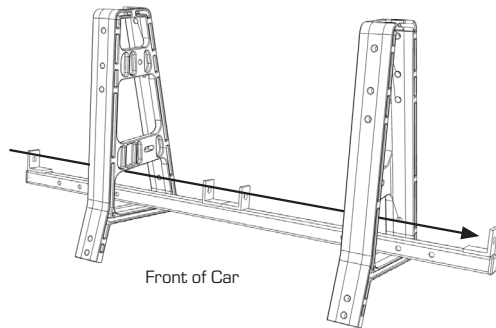
**IMPORTANT:** Read through all instructions before beginning installation.

**AVAILABLE FOR:**  
 CLUB CAR® DS® & PRECEDENT®  
 E-Z-GO® TXT® & RXV® / YAMAHA® DRIVE®

# SEAT BELT FRAME INSTALLATION

## STEP 1.1 INSTALL SEAT BELT FRAME

Position the Seat Belt Frame through the Seat Back supports.



NOTE: Shown on Club Car DS DoubleTake Seat Back Supports.

## STEP 1.2 LOCATE MOUNTING HOLES

Find your specific make and model of Golf Car below.

### CLUB CAR DS / E-Z-GO TXT / YAMAHA DRIVE



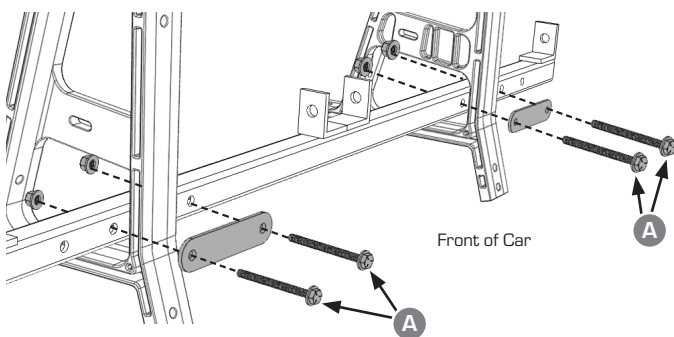
### CLUB CAR PRECEDENT\* / E-Z-GO RXV



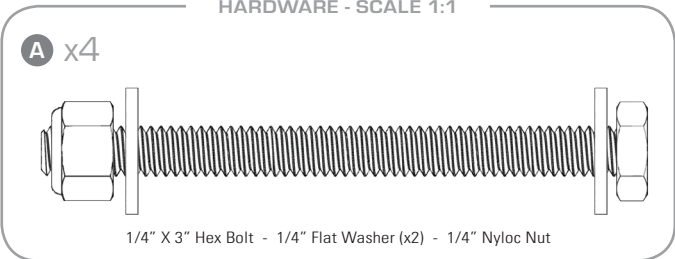
\* Does Not Fit Precedent Factory Seat Back Supports - Fits DoubleTake Seat Back Supports

## STEP 1.3 ATTACH FRAME MOUNTING PLATES

NOTE: Fully tighten Hardware.



NOTE: Shown on Club Car DS DoubleTake Seat Back Supports.

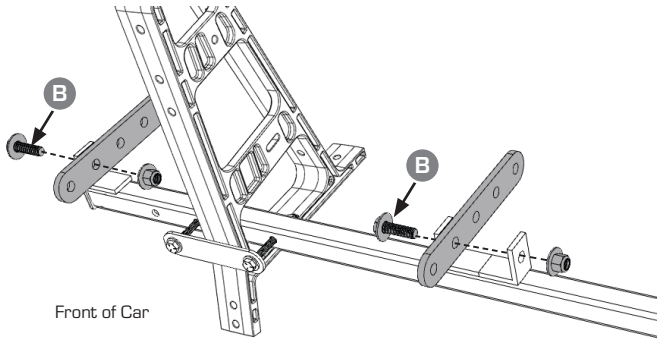


1/4" X 3" Hex Bolt - 1/4" Flat Washer (x2) - 1/4" Nyloc Nut

# SEAT BELT FRAME INSTALLATION

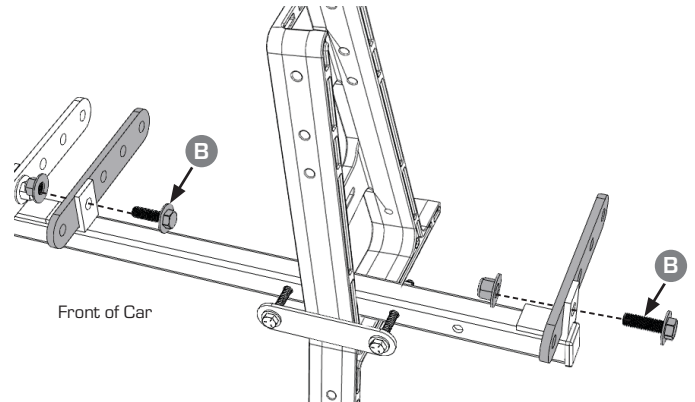
## STEP 2.1 ATTACH PASSENGER SEAT BELT PLATES

**NOTE: Fully tighten Hardware.**



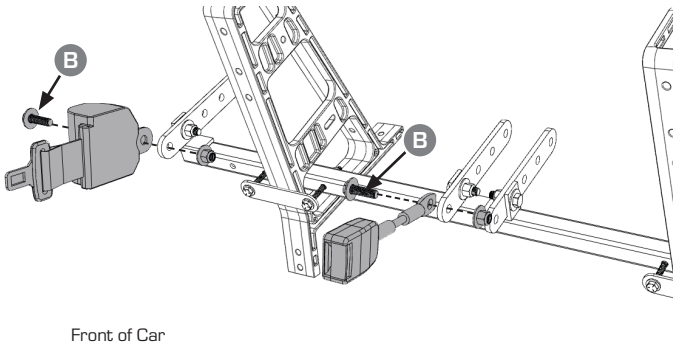
## STEP 2.2 ATTACH DRIVER SEAT BELT PLATES

**NOTE: Fully tighten Hardware.**



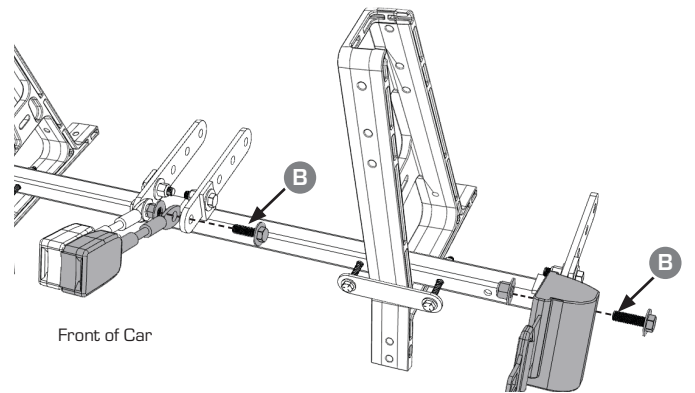
## STEP 2.3 ATTACH PASSENGER SEAT BELT

**NOTE: Fully tighten Hardware.**



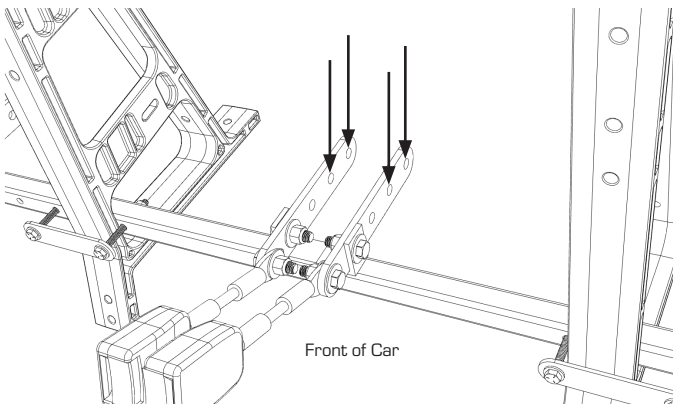
## STEP 2.4 ATTACH DRIVER SEAT BELT

**NOTE: Fully tighten Hardware.**



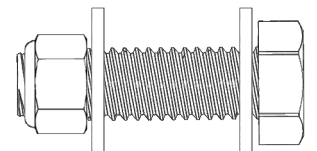
## STEP 2.5 4-PASSENGER SEAT BELTS ONLY

**NOTE: For 4-Passenger Kits, mount Rear Seat Belts to plates here.**



HARDWARE - SCALE 1:1

B x8

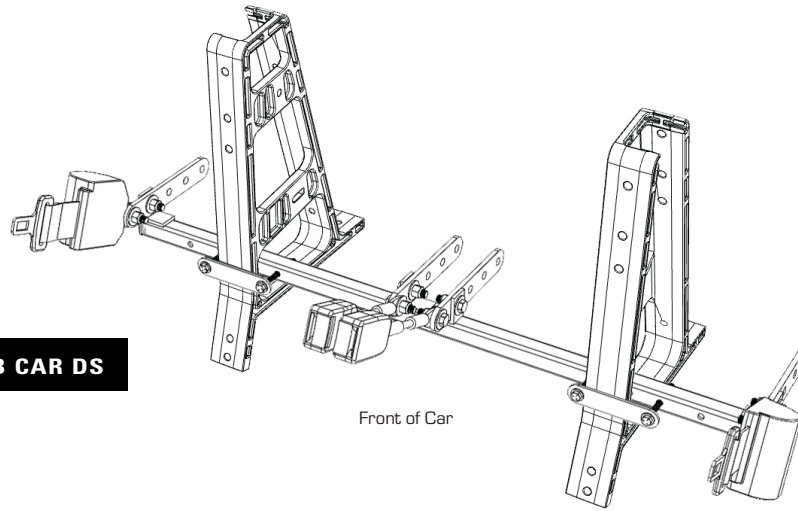


3/8" X 1-1/4" Hex Bolt - 3/8" Flat Washer (x2) - 3/8" Nyloc Nut

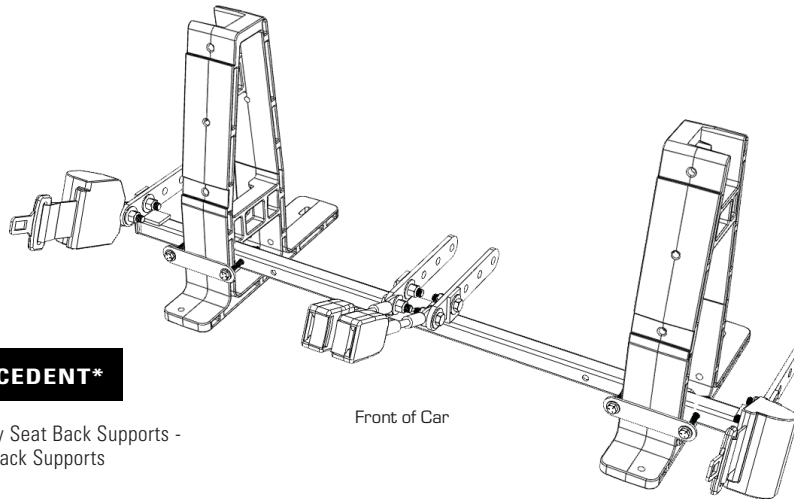
# SEAT BELT FULL ASSEMBLY

## FULLY ASSEMBLED REFERENCES FOR EACH CAR MODEL

### CLUB CAR DS



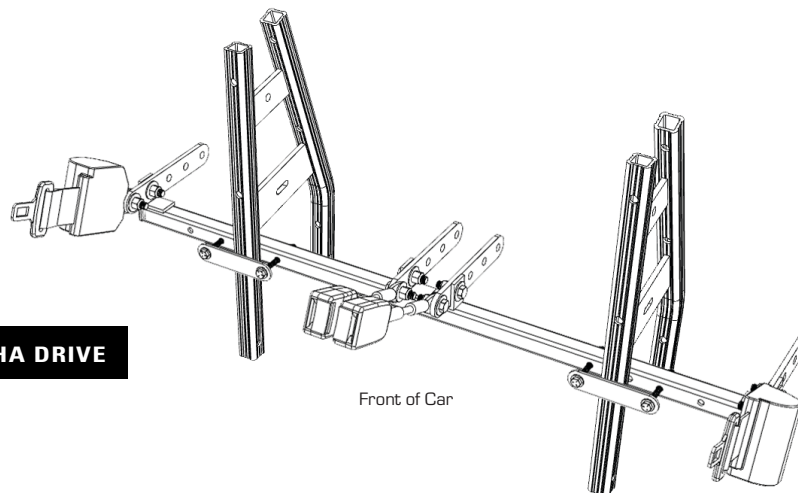
### CLUB CAR PRECEDENT\*



\* Does Not Fit Precedent Factory Seat Back Supports -  
Fits DoubleTake Seat Back Supports

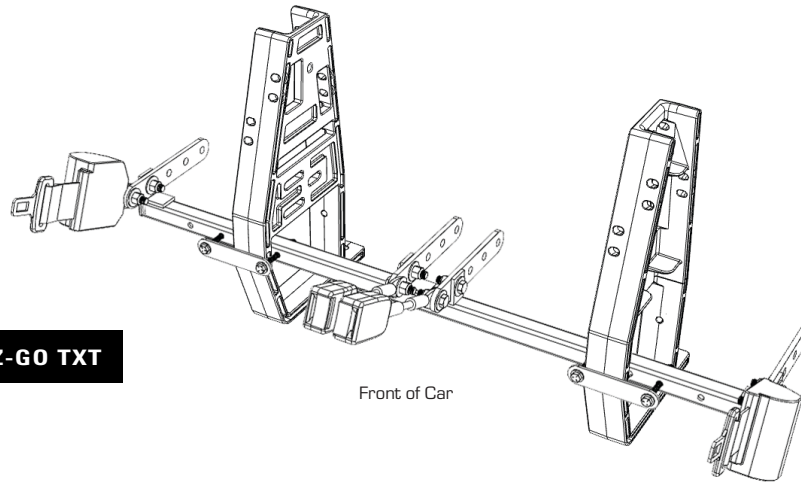
---

### YAMAHA DRIVE



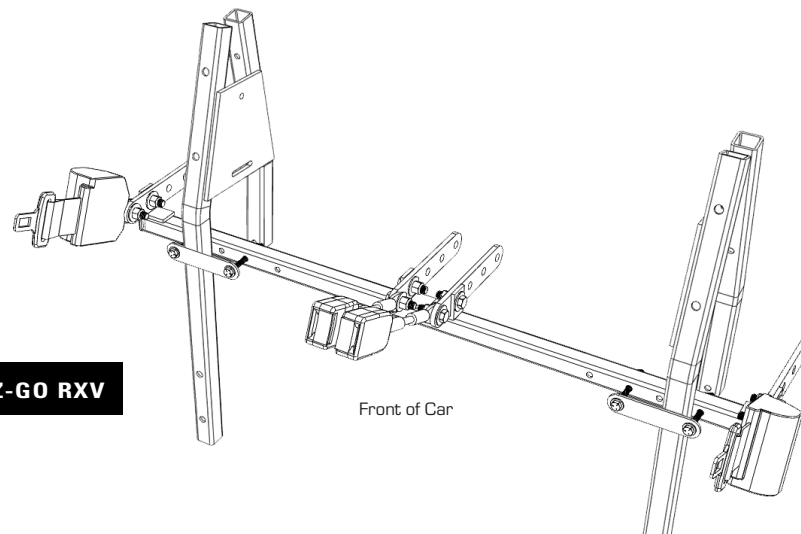
# SEAT BELT FULL ASSEMBLY

## FULLY ASSEMBLED REFERENCES FOR EACH CAR MODEL



**E-Z-GO TXT**

Front of Car



**E-Z-GO RXV**

Front of Car