

DELUXE STEP for MAX6 REAR SEATS

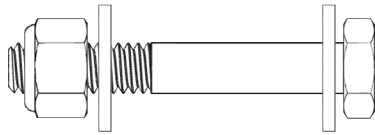
OPTIONAL ACCESSORY (Sold Separately)

STEP 1.1 STEP ASSEMBLY

Assemble Footrest as shown.
Do not fully tighten hardware until the next step.

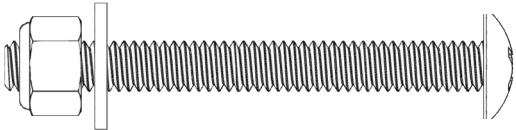
HARDWARE - SCALE 1:1

A x2

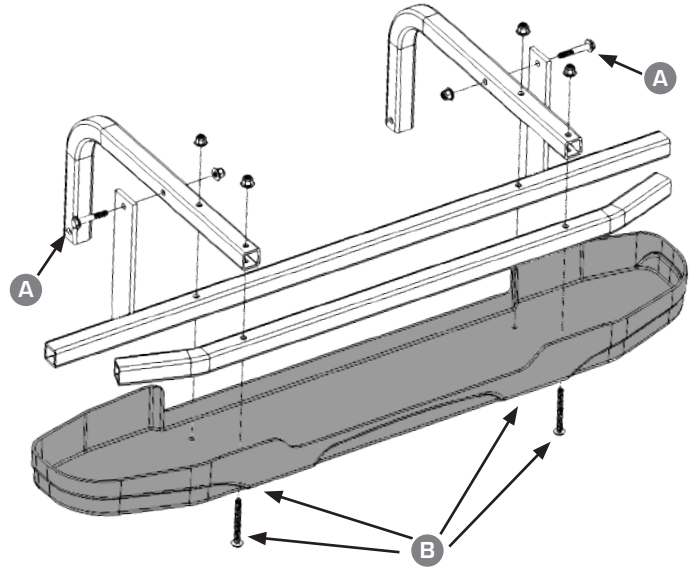


1/4" X 1-3/4" Hex Bolt - 1/4" Flat Washer (x2) - 1/4" Nyloc Nut

B x2

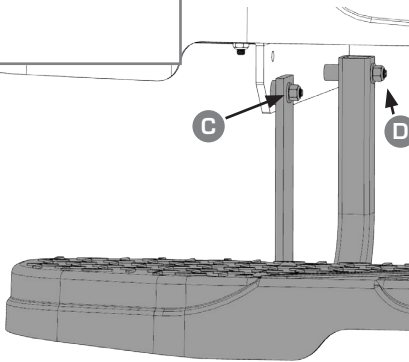
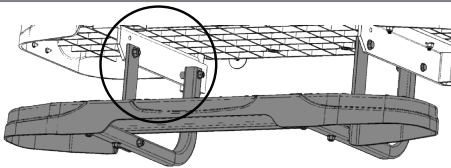


1/4" X 2-1/2" Pan Bolt - 1/4" Flat Washer (x2) - 1/4" Nyloc Nut

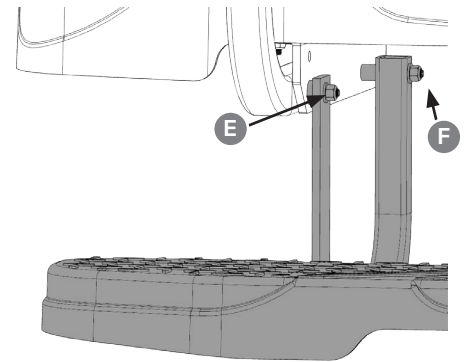


STEP 1.2 STEP INSTALLATION

NOTE: Fully tighten ALL Hardware in the assembly.



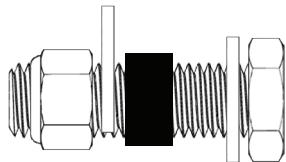
MAX6 CRUZ



MAX6 HELIX

HARDWARE - SCALE 1:1

C x2



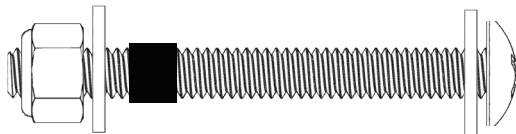
5/16" X 1-1/4" Hex Screw - 5/16" Flat Washer (x2) - 1/4" Spacer - 5/16" Nyloc Nut

D x2



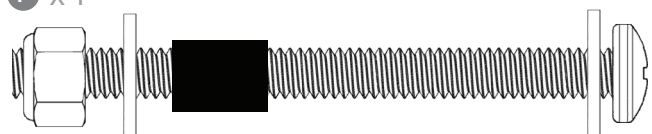
1/4" X 2-1/4" Truss Screw - 1/4" Flat Washer (x2) - 1/2" Spacer - 1/4" Nyloc Nut

E x4



1/4" X 2-1/2" Truss Screw - 1/4" Flat Washer (x2) - 1/4" Spacer - 1/4" Nyloc Nut

F x4



1/4" X 3-1/2" Truss Screw - 1/4" Flat Washer (x2) - 1/2" Spacer - 1/4" Nyloc Nut