

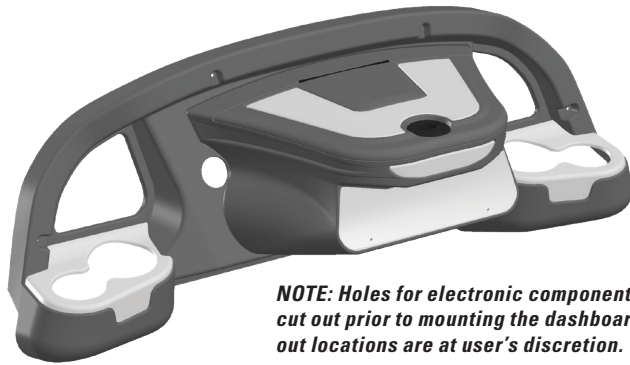


SENTRY™

LOCKING STORAGE DASH

MADE IN THE
★USA★
WITH PRIDE

CLUB CAR® PRECEDENT®, ONWARD® & TEMPO® /
DOUBLETAKE® PHOENIX-PD™ & PHANTOM™



NOTE: Holes for electronic components should be cut out prior to mounting the dashboard. These cut out locations are at user's discretion.

TABLE OF CONTENTS:

Section 1 - Car Preparation

Section 2 - Sentry Dash Installation

Section 3 - Trim Kit Installation

IMPORTANT: Read through all instructions before beginning installation.

CAR PREPARATION

STEP 1.1 REMOVE UPPER TRIM

Remove the upper body dash area trim by unscrewing the Torx pan head screws at the 4 locations in the trim.

STEP 1.2 REMOVE KEY SWITCH COVER PLATE

Remove the factory key switch cover plate and detach all electrical components.

STEP 1.3 REMOVE ELECTRICAL COMPONENTS

Remove all electrical components from the factory dash. Set aside to be installed in Sentry Dash.

STEP 1.4 ADD WIRING EXTENSIONS

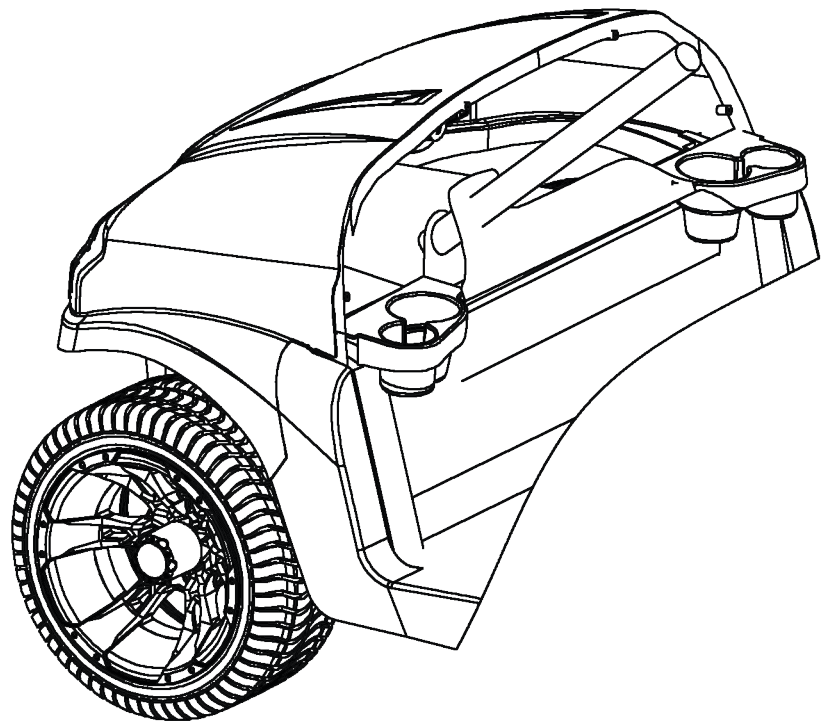
Add 12" wire extensions to the wires of electrical components that need to be transferred to the face of the new dash.

STEP 1.5 REMOVE STEERING WHEEL

Remove the center cap/scorecard holder from center of steering wheel. Remove lagre nut and pull steering wheel off of steering column shaft.

CLUB CAR PRECEDENT, ONWARD, & TEMPO / DOUBLETAKE PHOENIX-PD & PHANTOM

*Car with factory components removed and ready for
Sentry Dash installation*

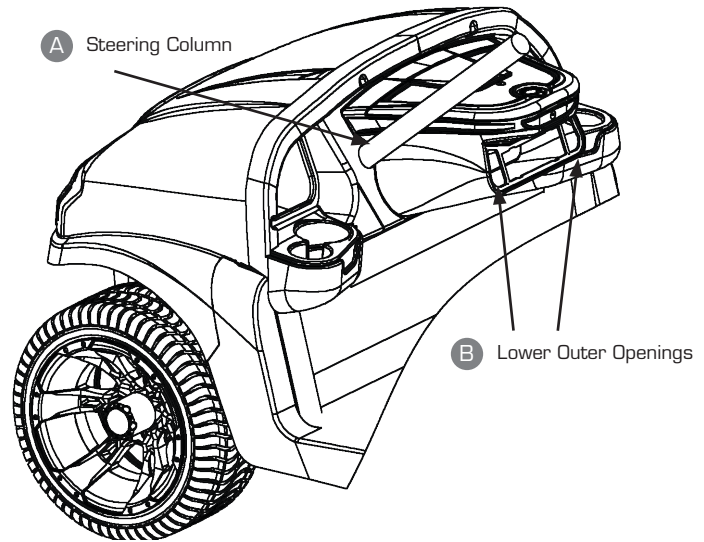


SENTRY DASH INSTALLATION

STEP 2.1 POSITION SENTRY DASH

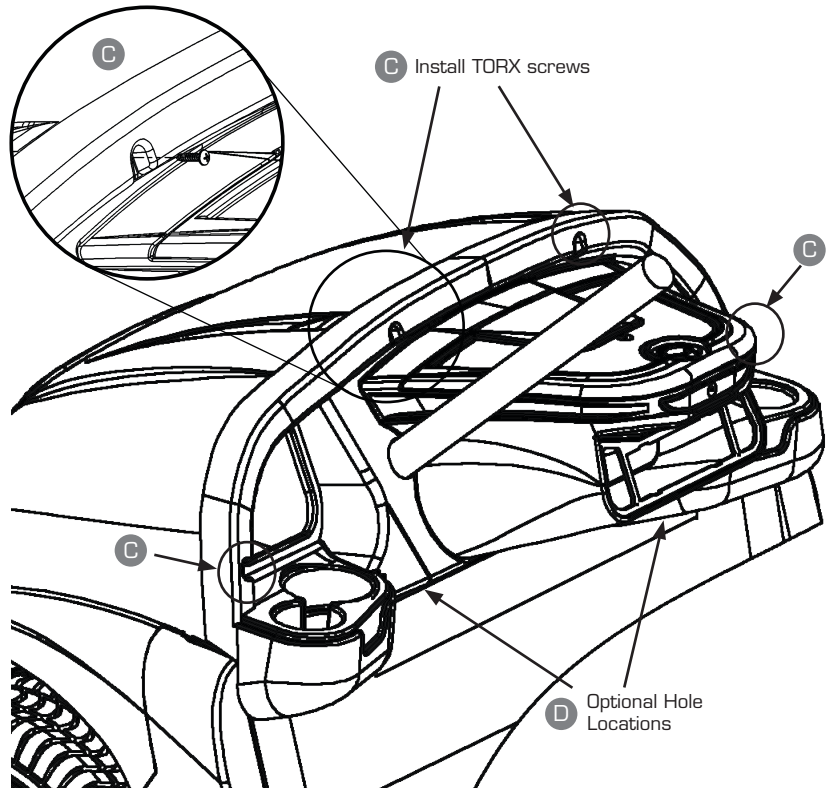
Sentry Dash fits over existing factory cup holders.

Slide the Sentry Dash over the steering column (A), while pulling any wiring for electrical components through the lower outer openings (B).



STEP 2.1 ATTACH DASH WITH SCREWS

Once the dash is fully seated over front cowl, use either the same 4 Torx pan head screws removed in step one, or the new ones provided, to attach the Sentry Dash across the top of dash frame (C). (Mounting holes located at the bottom of the dashboard (D) are optional).

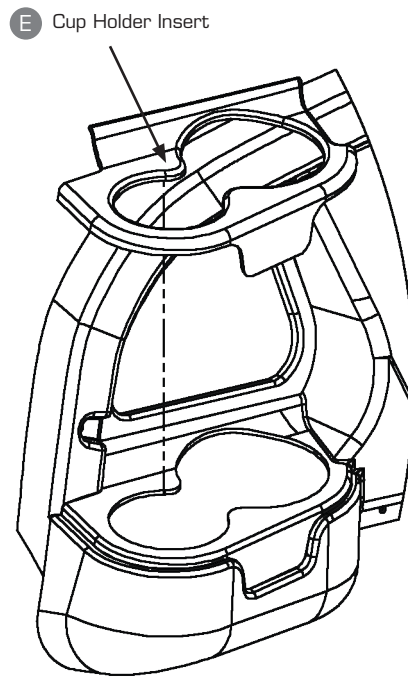


TRIM KIT INSTALLATION

STEP 3.1 ATTACH CUP HOLDER INSERTS

Remove protective film from outer surface of Cup Holder inserts (E). Attach inserts to Sentry Dash with peel and stick tape provided.

NOTE: Items are left and right handed. Check for correct positioning before attaching with double-sided tape. The adhesive is automotive quality and may not be removeable without damage to the insert once applied.



STEP 3.2 ATTACH STORAGE AND NOSE INSERTS

Remove protective film from outer surface of Storage insert (G) and Nose insert (H). Then attach inserts to Sentry Dash with peel and stick tape provided.

STEP 3.3 PREPARE FACEPLATE

Cut the necessary holes in the Faceplate insert (I) to install the electrical components that were taken out in Step one. (Placement of these components varies by user). Install components and reconnect wiring.

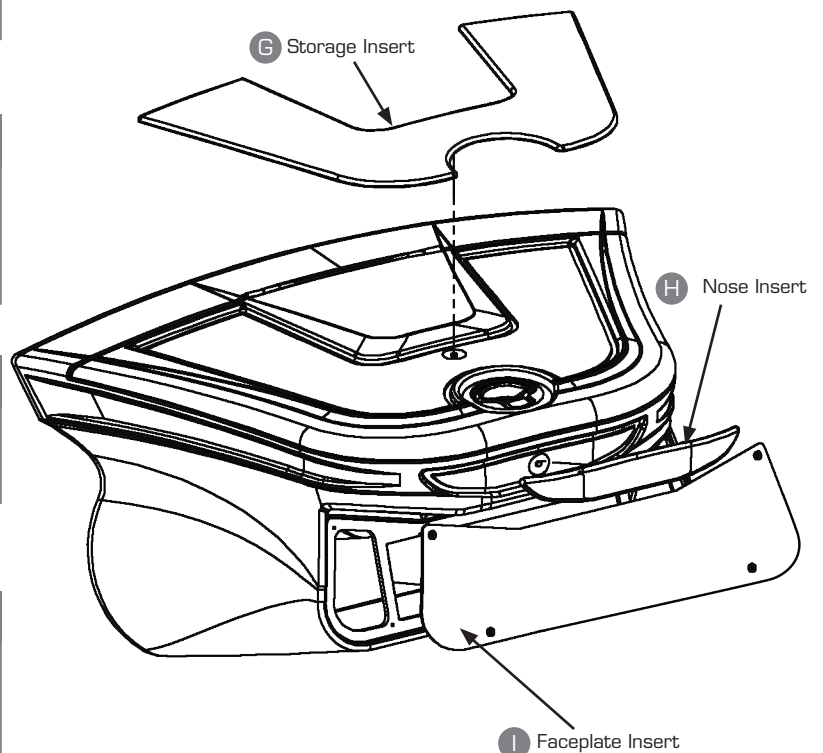
STEP 3.4 INSTALL FACEPLATE

Insert the Faceplate insert into the lower dash opening and attach with the 4 small flat head screws provided.

STEP 3.4 REATTACH STEERING WHEEL

Reattach the steering wheel to the steering column.

Installation is Complete.





(This page left blank intentionally)