

MAX6TM CRUZ

MADE IN THE
★USA★
WITH PRIDE

CRUZ HEAVY-DUTY SAFETY BAR OPTIONAL ACCESSORY (Sold Separately)

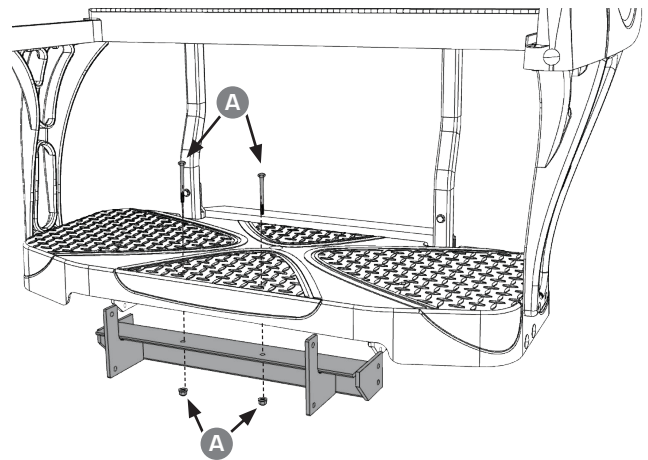


MAX 6 • CRUZ W/ HEAVY-DUTY SAFETY BAR

IMPORTANT: Do not fully tighten hardware until instructed.
Read through all instructions before beginning installation.

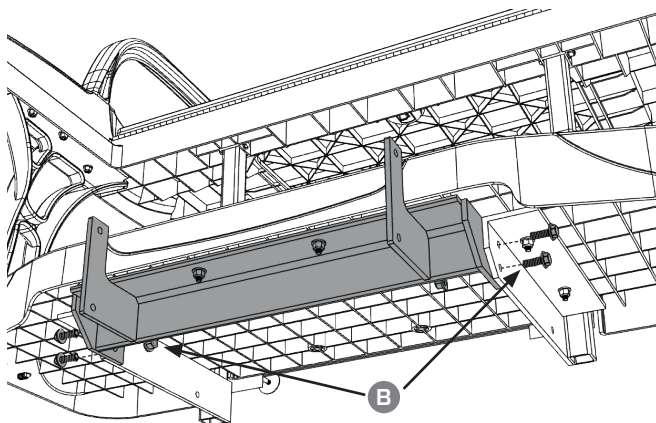
STEP 1.1 ATTACH SAFETY BAR BASE TO FOOT REST

NOTE: **DO NOT** fully tighten Hardware until next step.

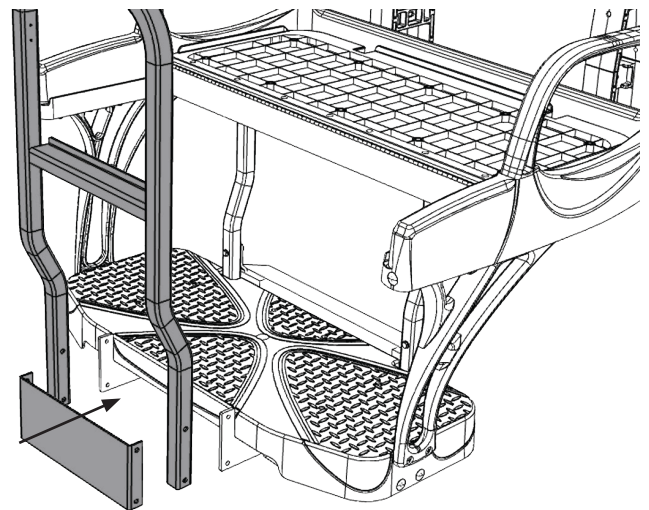


STEP 1.2 ATTACH SAFETY BAR BASE TO FOOT REST SUPPORTS

NOTE: Fully tighten **ALL** Hardware.

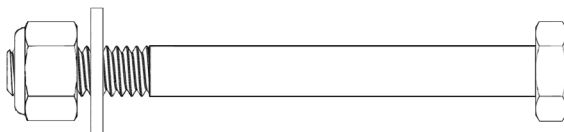


STEP 1.3 LINE UP THE SAFETY BAR AND FACEPLATE



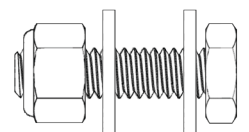
HARDWARE - SCALE 1:1

A x2



1/4" X 2-3/4" Hex Bolt - 1/4" Flat Washer - 1/4" Nylock Nut

B x4



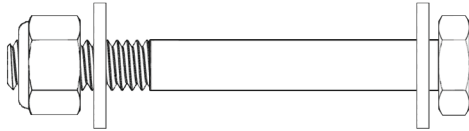
5/16" X 1" Hex Bolt - 5/16" Flat Washer (x2) - 5/16" Nylock Nut

STEP 1.4 ATTACH SAFETY BAR BASE TO FACE PLATE

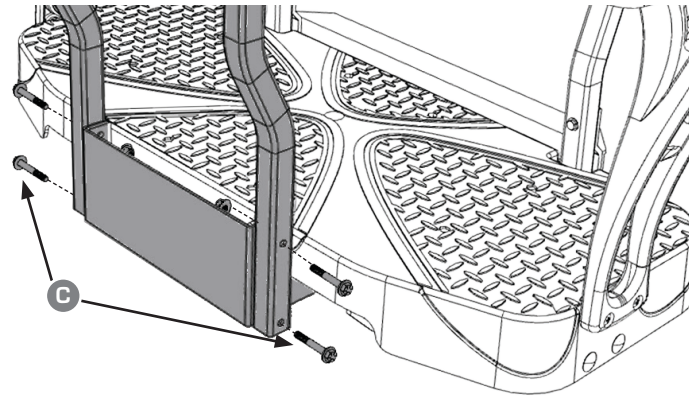
NOTE: Fully tighten Hardware.

HARDWARE - SCALE 1:1

C x4



5/16" X 2-1/4" Hex Bolt - 5/16" Flat Washer (x2) - 5/16" Nylock Nut



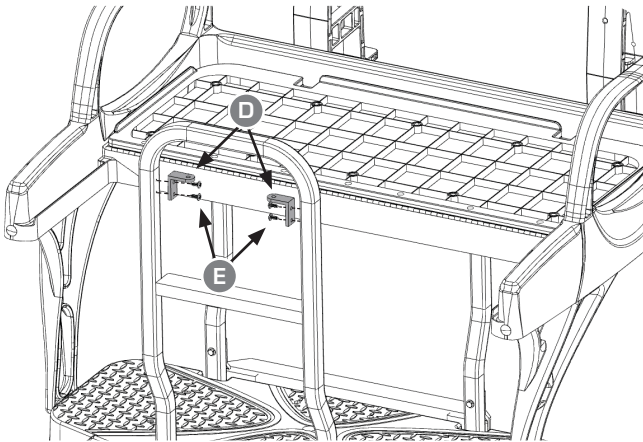
CUP HOLDERS



OPTIONAL ACCESSORY (Sold Separately)

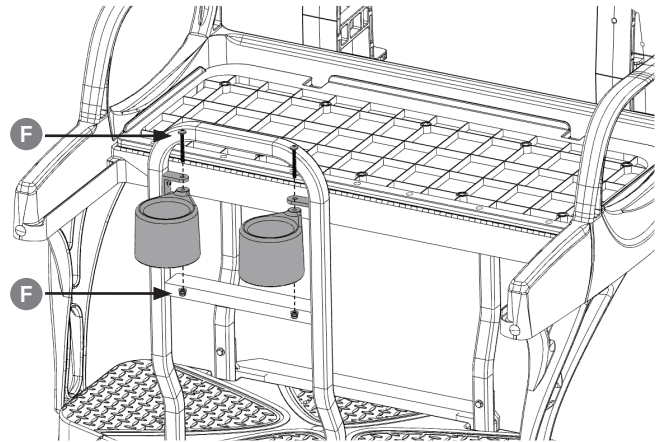
STEP 2.1 ATTACH CUP HOLDER BRACKETS X2

Remove the plastic plugs that cover the inside holes and attach brackets **(D)**, using sheet metal screw **(E)**.



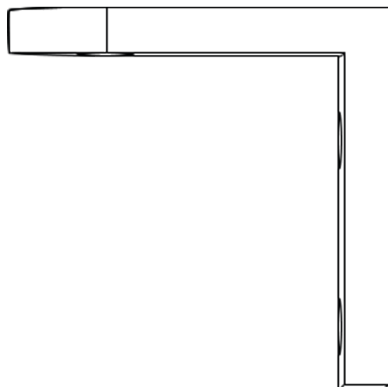
STEP 2.2 ATTACH CUP HOLDER X2

NOTE: Fully tighten Hardware.



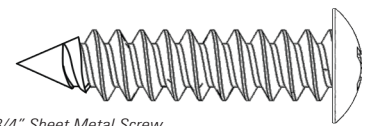
HARDWARE - SCALE 1:1

D x2



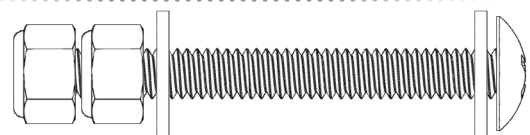
Cup Holder Bracket

E x4



#14 X 3/4" Sheet Metal Screw

F x2



1/4" X 2-1/2" Truss Phillips Screw - 1/4" Flat Washer (x2) - 1/4" Nylock Nut (x2)