



# LIMO CENTER POD™

## 6-PASSENGER

MADE IN THE  
★USA★  
WITH PRIDE



( E-Z-GO TXT Hip Restraints pictured )

### POD INSTALLATION

#### TABLE OF CONTENTS:

- Step 1** - Side Accent Panels
- Step 2** - Seat Back Supports
- Step 3** - Pod Frame and Cargo Bucket
- Step 4** - Canopy Struts
- Step 5** - Cushions

#### SCALE HARDWARE GUIDE

Supplied hardware has been illustrated at a 1:1 scale for the ability to verify required lengths quickly and easily. Simply place the hardware on top of the illustration to ensure you are using the correct item and measurement.

### INCLUSIONS & REQUIREMENTS



Center Pod



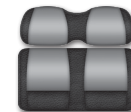
Seat Back Handles



Track Top Struts



Hip Restraints

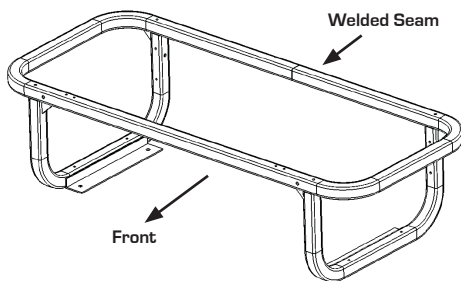


Deluxe Pod Cushions\*  
( Required )

Hip Restraints & Deluxe Pod Cushions available for: Club Car® DS® & Precedent® / E-Z-GO® TXT® / Yamaha® Drive®

### STEP 1.1 FIND THE FRONT OF THE POD FRAME

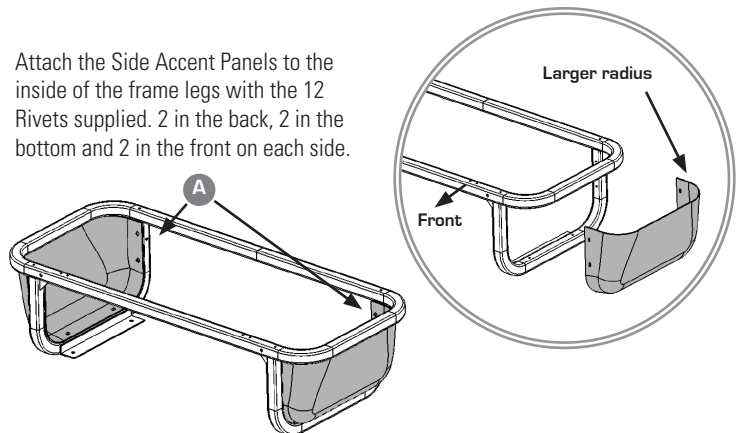
Place the front of the Pod forward. The front of the Pod is opposite of the welded seam side.



### STEP 1.2 ATTACH SIDE ACCENT PANELS

Place the larger panel radius toward the back of the Pod frame.

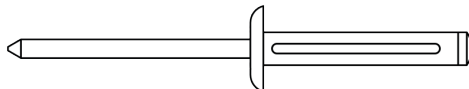
**NOTE: Side Panels are not the uniformly the same.**



#### HARDWARE - SCALE 1:1

HW BAG: POD UNIV ASY HW

A x12



3/16" X 1-1/8" Rivets

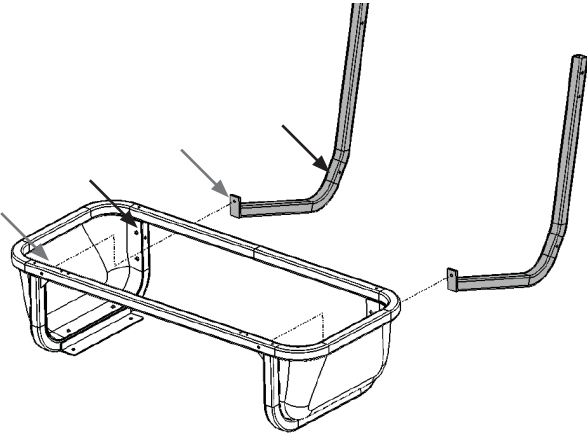
\*Sold Separately





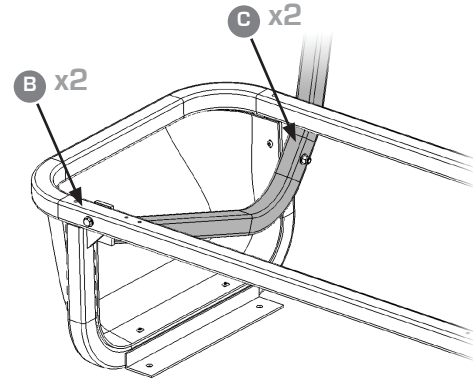
## STEP 2.1 POSITION SEAT BACK SUPPORTS

Insert the Seat Back Supports under the back side of the Pod assembly. Line up the holes.



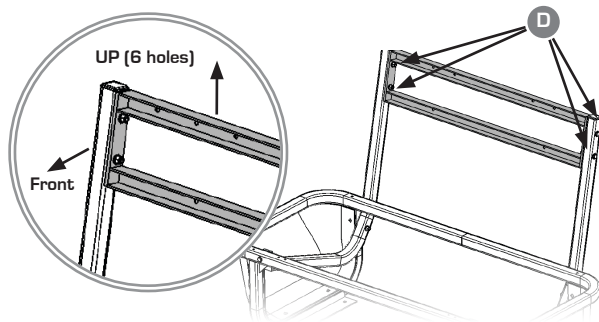
## STEP 2.2 FASTEN SEAT BACK SUPPORTS

Attach the Seat Back Supports to the Pod Frame with the fasteners.  
**NOTE: Do not tighten completely until indicated.**



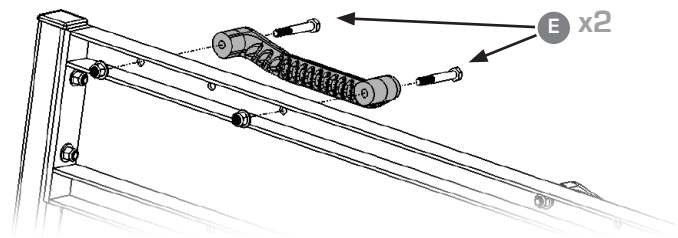
## STEP 2.3 INSTALL SEAT BACK CROSS BAR

Place the Seat Back Cross Bar in between the Seat Back Supports with the 6 holes in the Cross Bar on top and attach with the fasteners as shown.  
**At this time, tighten all fasteners in Steps 2:2 & 2:3.**



## STEP 2.4 ATTACH HAND HOLDS

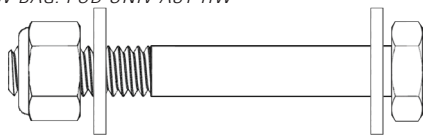
Attach 2 Hand Holds to the back of the cross bar as shown.



### HARDWARE - SCALE 1:1

HW BAG: POD UNIV ASY HW

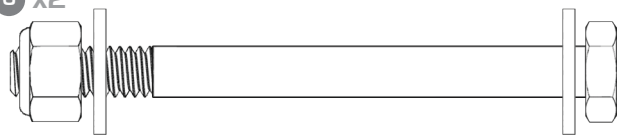
B x2



1/4" X 2" Hex Head Bolt - 1/4" Flat Washer (x2) - 1/4" Nyloc Nut

C x2

HW BAG: POD UNIV ASY HW

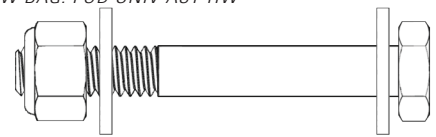


1/4" X 3" Hex Head Bolt - 1/4" Flat Washer (x2) - 1/4" Nyloc Nut

### HARDWARE - SCALE 1:1

HW BAG: POD UNIV ASY HW

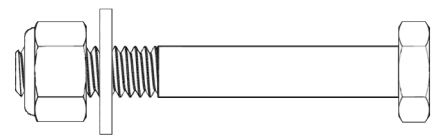
D x4



1/4" X 2" Hex Head Bolt - 1/4" Flat Washer (x2) - 1/4" Nyloc Nut

E x4

HW BAG: POD UNIV ASY HW

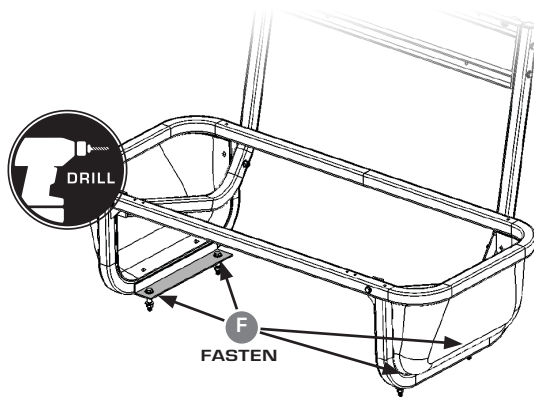


1/4" X 2" Hex Head Bolt - 1/4" Flat Washer (x1) - 1/4" Nyloc Nut



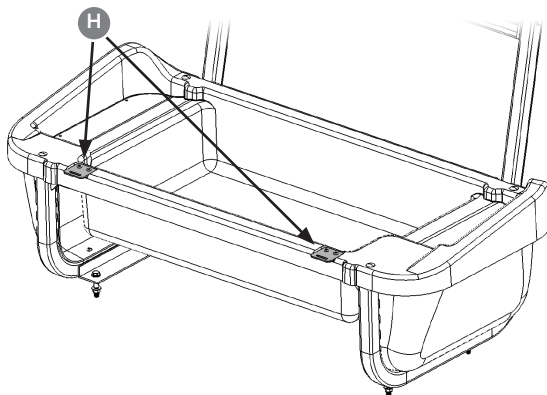
## STEP 3.1 FASTEN POD FRAME TO LIMO CAR

Evenly position the assembly on the floor of the stretched car. (The position will differ from model to model.) Then transfer the 4 holes at the bottom into the floor of the car with a drill, and bolt the assembly with the fasteners.



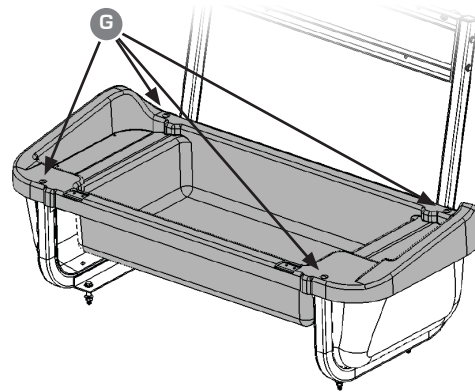
## STEP 3.3 RIVET CARGO BUCKET TO FRAME

Align the flat Hinge Plates with the holes in the Pod Frame between the cut-outs and rivet them in place.



## STEP 3.2 INSTALL CARGO BUCKET

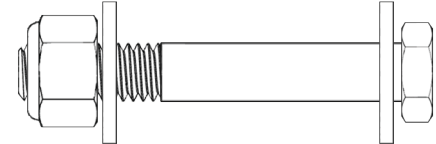
Slide the Cargo Bucket down into place. Be sure to keep the square cut-outs towards the front of the Pod Frame and fasten with push rivets.



### HARDWARE - SCALE 1:1

HW BAG: POD UNIV ASY HW

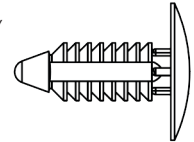
F x4



5/16" X 2" Hex Head Bolt - 5/16" Flat Washer (x2) - 5/16" Nyloc Nut

G x4

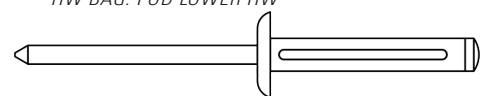
HW BAG: POD UNIV ASY HW



1/4" X 3/4" Plastic Push Rivet

H x4

HW BAG: POD LOWER HW



3/16" X 1-1/8" Rivets

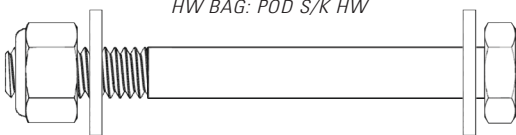
## STEP 4.1 INSTALL POD STRUTS TO CANOPY RAIL

Align the Pod Struts to the outside of the Seat Back Supports, adjust them up or down until the hole at the top of the strut is at a good point to attach it to the Canopy Rail. Once in position, temporarily clamp the rail at the locations shown and transfer the holes into the Canopy Rails with a drill and fasten with specified hardware.

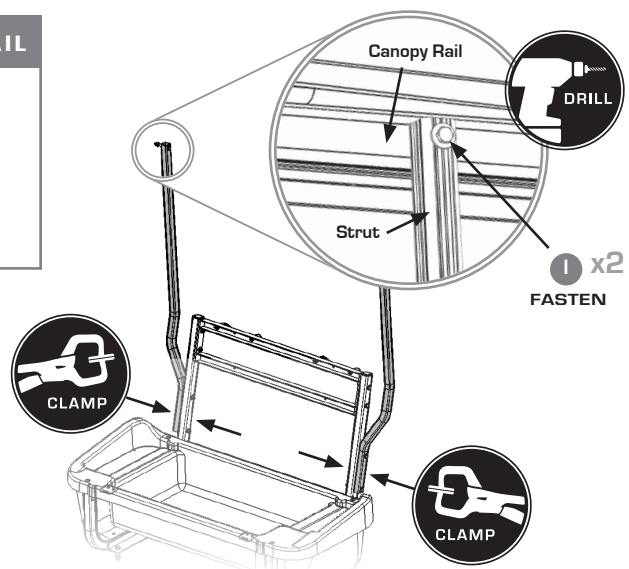
### HARDWARE - SCALE 1:1

HW BAG: POD S/K HW

I x2



1/4" X 2-1/2" Hex Head Bolt - 1/4" Flat Washer (x2) - 1/4" Nyloc Nut



## STEP 4.2 FASTEN POD STRUTS

With the Struts aligned and clamped to the Seat Back Supports, transfer the holes in the Struts into the Seat Back Supports with a drill. Attach the Struts with the fasteners shown.

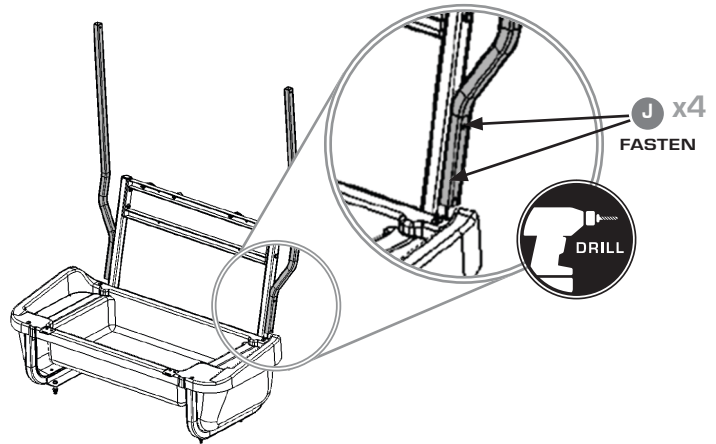
HARDWARE - SCALE 1:1

HW BAG: POD S/K HW

J x4

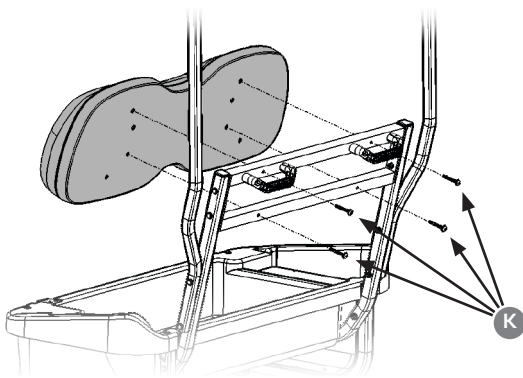


1/4" X 2-3/4" Hex Head Bolt - 1/4" Flat Washer (x2) - 1/4" Nyloc Nut



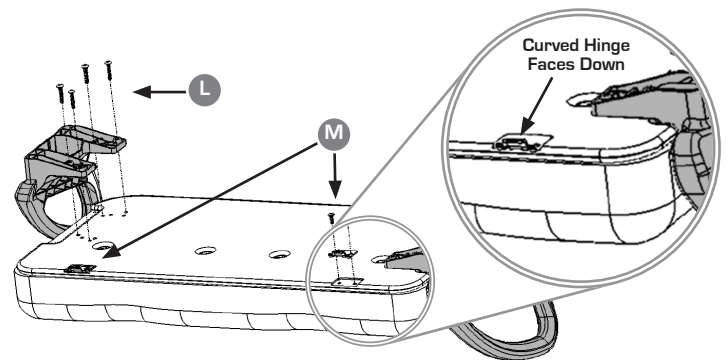
## STEP 5.1 ATTACH SEAT BACK CUSHION

Attach the Seat Back Cushion into place with the fasteners shown.



## STEP 5.2 INSTALL HIP RESTRAINTS

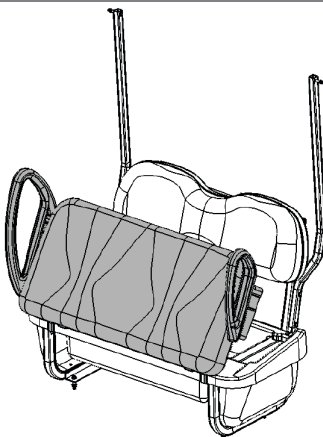
Assemble the Seat Bottom Cushion and components as shown.



( E-Z-GO TXT Hip Restraints pictured )

## STEP 5.1 FIT SEAT TO POD FRAME

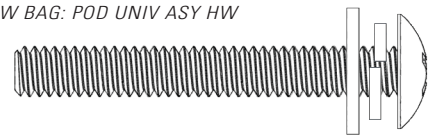
Align seat bottom hinge plates with Pod Hinge Plates and lay the seat in place. Installation of the Pod is now completed.



HARDWARE - SCALE 1:1

HW BAG: POD UNIV ASY HW

K x4



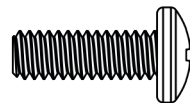
1/4" X 2" Phillips Truss Head Screw - 1/4" Flat Washer - 1/4" Nyloc Nut

L

HARDWARE PROVIDED WITH  
CAR SPECIFIC HIP RESTRAINTS

M x4

HW BAG: POD UPPER HW



1/4" X 3/4" Pan Head Screw