



MADE IN THE  
★USA★  
WITH PRIDE



# LIMO TRACK TOPS™

## 6-PASSENGER TOP KITS

**FITS FOLLOWING MAKES & MODELS WITH DOUBLETAKE REAR SEAT KITS:  
CLUB CAR DS & PRECEDENT / E-Z-GO TXT & RXV / YAMAHA G14-G19, DRIVE, & DRIVE 2.**

**NOTE: Kits include Rear Frames and Front Frame Brackets where applicable.**

### TABLE OF CONTENTS:

- Step 1** - Install Front Frame Brackets
- Step 2** - Install Rear Frames
- Step 3** - Install Track Tops
- Step 4** - Secure Top to Rear Frames

### PREPARE CAR FOR INSTALLATION:

- Remove the following:
- Factory Top
  - Top Supports/Drain Tubes
  - Bench Back Cushion
  - Bag Rack Assembly

**NOTE: Save original hardware for later use.**

## STEP 1 INSTALL FRONT FRAME BRACKETS

Mount Front Frame Brackets to Top Frame according to your car model.  
(SEE INSTRUCTIONS INCLUDED WITH FRONT FRAME BRACKET KIT)

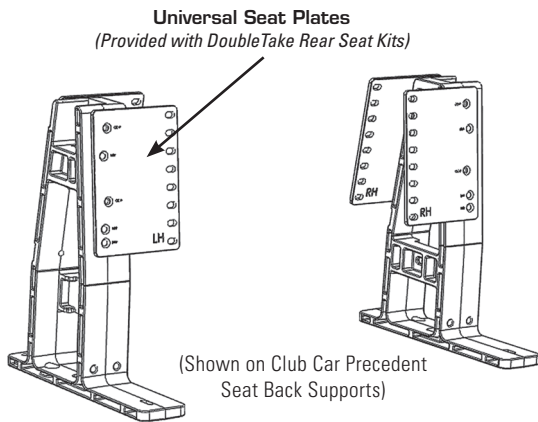
**IMPORTANT: Do not fully tighten hardware until instructed.  
Read through all instructions before beginning installation.**

## STEP 2 INSTALL SEAT PLATES & REAR FRAMES

**FOR USE WITH DOUBLETAKE REAR SEAT KITS — FITS: CLUB CAR DS & PRECEDENT / E-Z-GO TXT & RXV / YAMAHA G14-G19, DRIVE, & DRIVE 2.**  
EACH CAR MODEL HAS UNIQUE SEAT BACK SUPPORTS, BUT ALL REAR FRAMES MOUNT THE SAME. INSTALLATION IS PICTURED ON A CLUB CAR PRECEDENT.

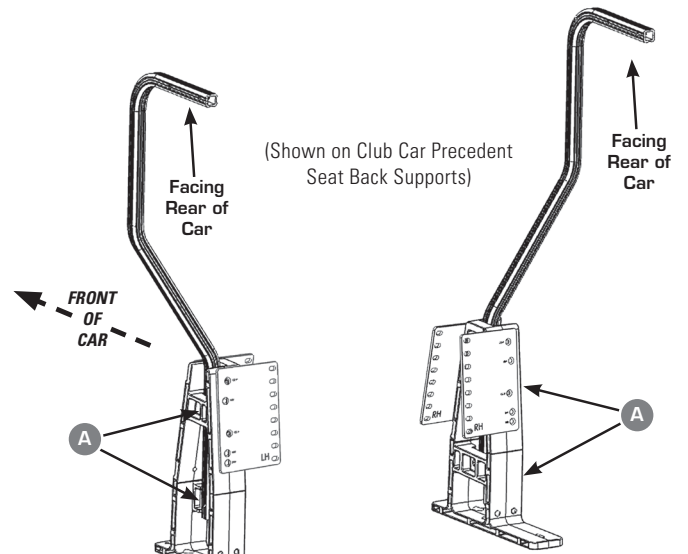
### UNIVERSAL SEAT PLATES

For ease of installation install Universal Seat Plates onto Seat Back Supports before installing Rear Frames. **See the Seat Plate Kit Instructions** for mounting to Seat Back Supports.



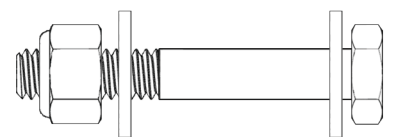
### REAR FRAMES

Mount the Rear Frames, to the Seat Back Supports, with the top bent legs facing to the rear of the car. **NOTE: Leave HW loose until Top is installed.**



### HARDWARE - SCALE 1:1

**A** x4



1/4" X 1-3/4" Hex Bolt - 1/4" Flat Washer (x2) - 1/4" Nylon Nut

# STEP

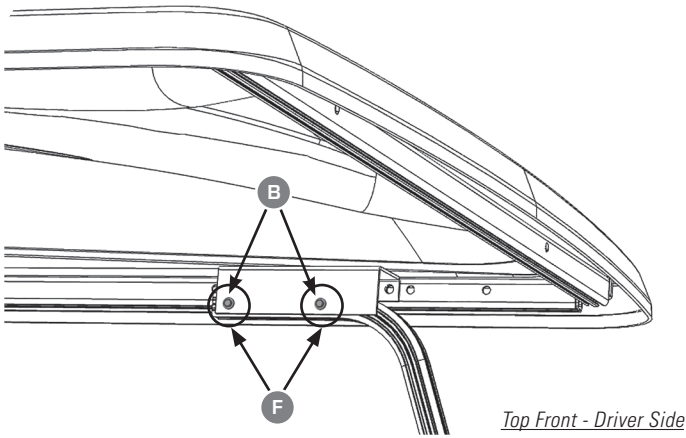
# 3

## INSTALL TRACK TOPS

Rest the Top on Front & Rear Frames, attach to Front Frames with provided hardware. **\*\* Place Rubber Washers (F) between Brackets & Frames when installing \*\***

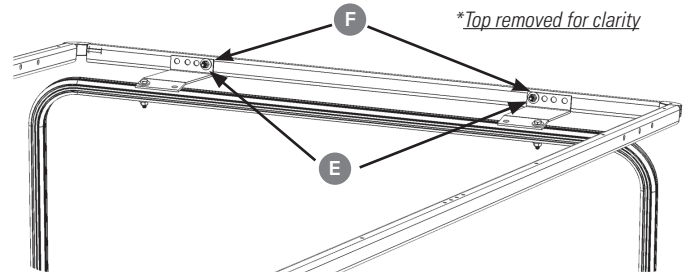
### CLUB CAR DS & PRECEDENT / YAMAHA DRIVE & DRIVE 2

— Fully tighten Hardware.



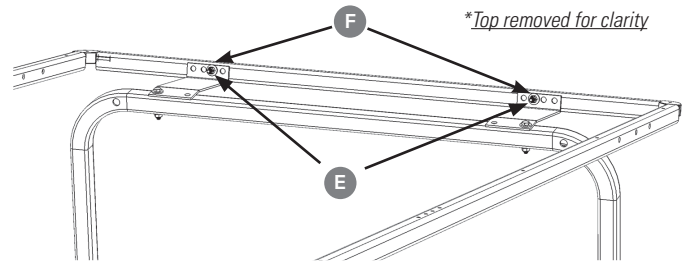
### E-Z-GO TXT

Mount to inside holes with hardware (E & F).  
— Fully tighten Hardware.



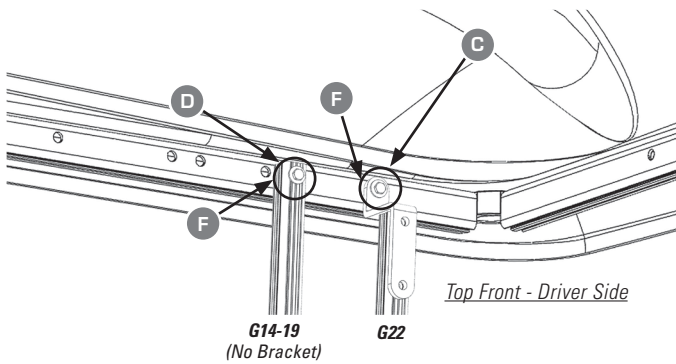
### E-Z-GO RXV

Mount to 2nd hole from inside with hardware (E & F).  
— Fully tighten Hardware.



### YAMAHA G14-19 & G22

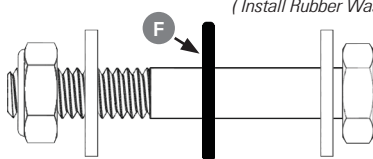
— Fully tighten Hardware.



#### HARDWARE - SCALE 1:1

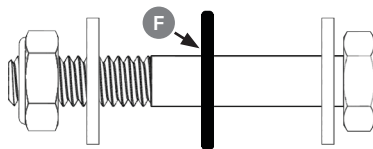
(Install Rubber Washers (F) between Brackets & Frames)

**B** x4



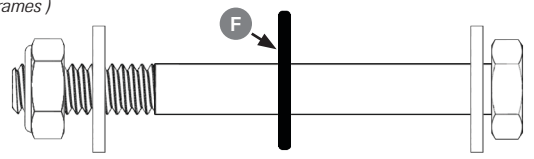
1/4" X 1-3/4" Hex Bolt - Rubber Washer - 1/4" Flat Washer (x2) - 1/4" Nyloc Jam Nut

**C** x4



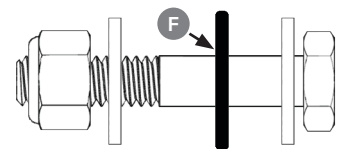
1/4" X 1-3/4" Hex Bolt - Rubber Washer - 1/4" Flat Washer (x2) - 1/4" Nyloc Jam Nut

**D** x2



1/4" X 2-1/2" Hex Bolt - Rubber Washer - 1/4" Flat Washer (x2) - 1/4" Nyloc Jam Nut

**E** x2



1/4" X 1-1/2" Hex Bolt - Rubber Washer - 1/4" Flat Washer (x2) - 1/4" Nyloc Nut

# STEP

# 4

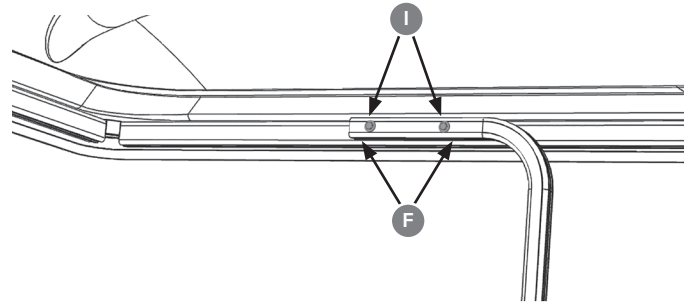
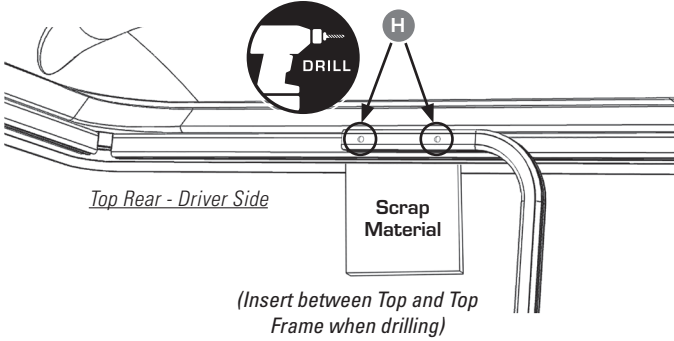
## SECURE TOP TO REAR FRAMES

### IMPORTANT: Place Scrap Material between Top Frame & Top before drilling.

- Clamp Rear Frame to Top Frame. Double check Rear Frame positioning (plumb/level) and chase drill holes through Rear Frame and Top Frame (**H**) using 1/4" drill bit.
- Attach Rear Frame with Hardware (**I & F**) — Fully tighten Hardware. Repeat for opposite side.
- \*\* Place Rubber Washers (**F**) between Brackets & Frames when installing \*\*

### ALL CAR MODELS - REAR FRAMES

— Fully tighten Hardware.



**NOTE:** Fully tighten Rear Frame hardware to Seat Back Supports.

# STEP

# 5

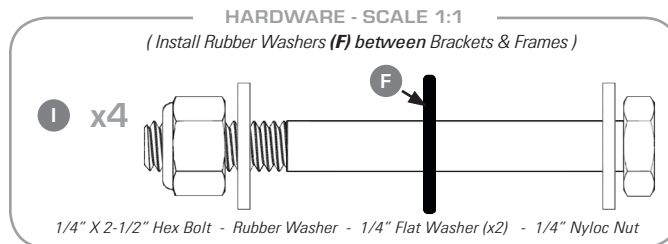
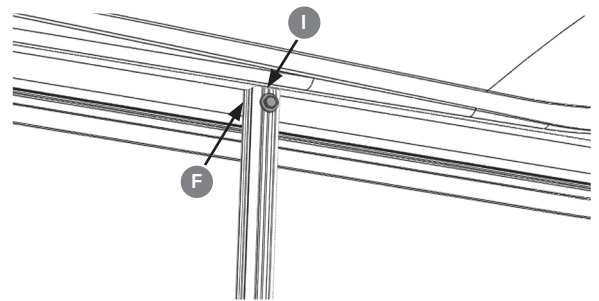
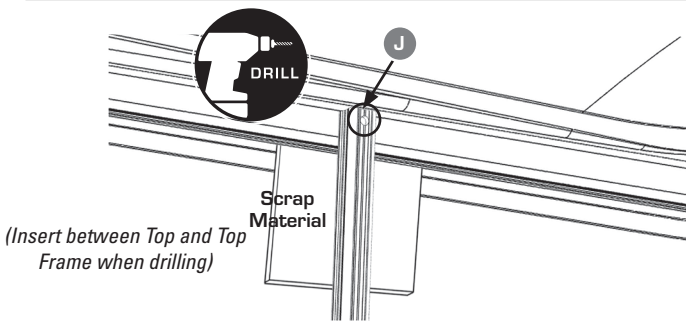
## SECURE TOP TO CENTER SUPPORTS - (CENTER SUPPORTS INCLUDED WITH LIMO POD)

### IMPORTANT: Place Scrap Material between Top Frame & Top before drilling.

- Position the Center Support on Top Frame (plumb/level) and chase drill hole through Top Frame (**J**) using 1/4" drill bit.
- Attach Center Support with Hardware (**I & F**) — Fully tighten Hardware. Repeat for opposite side.
- \*\* Place Rubber Washers (**D**) between Brackets & Frames when installing \*\*

### ALL CAR MODELS - CENTER SUPPORTS

— Fully tighten Hardware.





(This page left blank intentionally)